

4

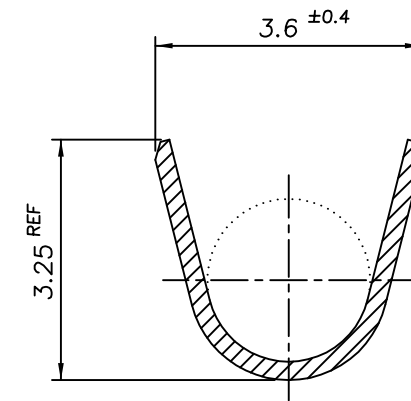
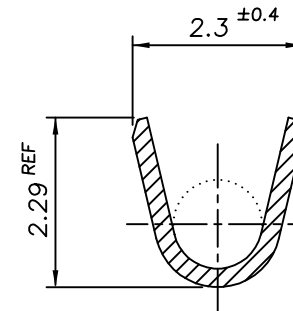
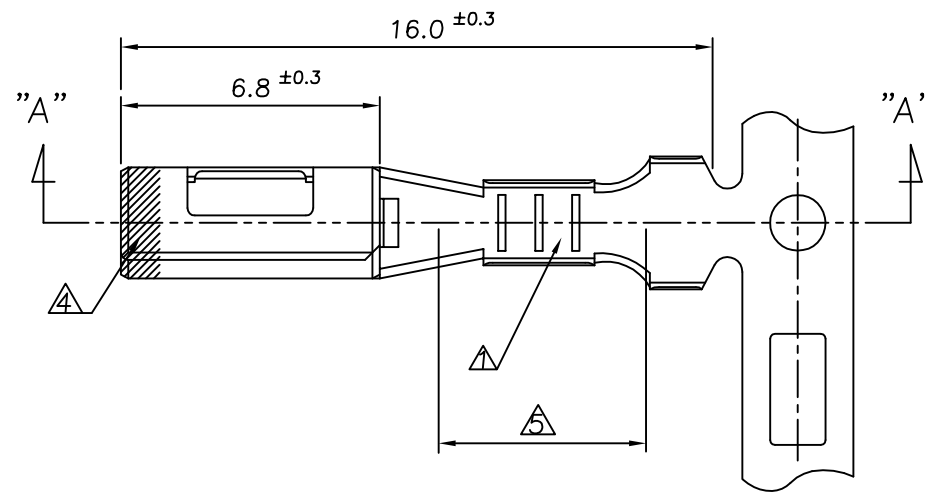
3

2

1

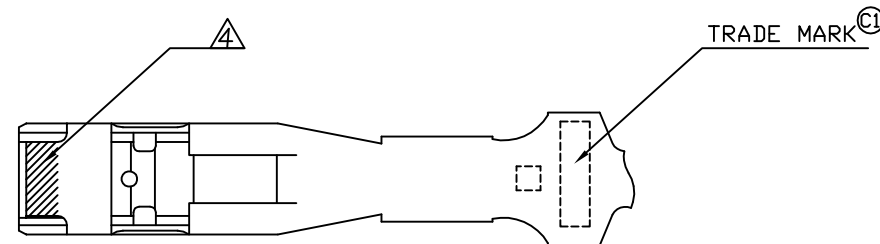
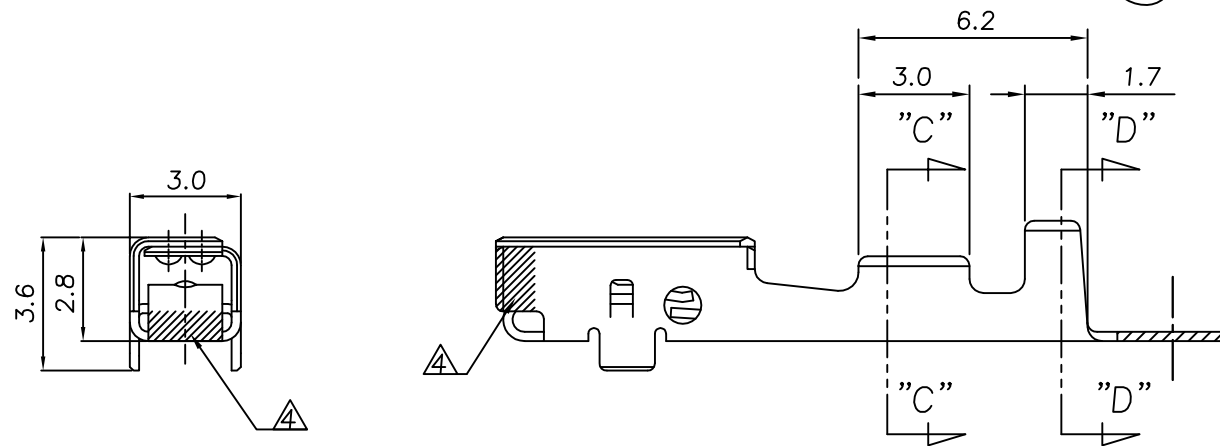
THIS DRAWING IS UNPUBLISHED. RELEASED FOR PUBLICATION
COPYRIGHT BY TYCO ELECTRONICS CORPORATION, ALL RIGHTS RESERVED.

LOC	DIST	REVISIONS			
P	LTR	DESCRIPTION	DATE	DWN	APVD
-	-				
	C1	REVISED (ECR-13-003728)	28.FEB.'13	KT	HG



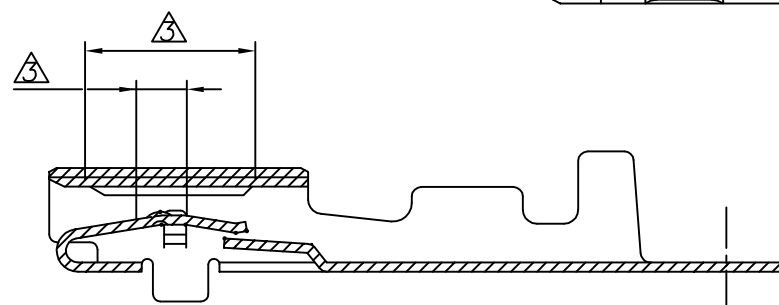
SECTION "C-C"
Scale 10/1

SECTION "D-D"
Scale 10/1



NOTE


- ▲ THREE SERRATIONS CENTERED IN WIRE BARREL.
- 2. APPLICABLE WIRE RANGE; CAVUS 0.3~AVSS 0.5 SQMM
- ▲ GOLD PLATING AREA (CONTACT SIDE ONLY)
- ▲ GOLD PLATING FOR DISCERNMENT
- ▲ TIN PLATING AREA



SECTION "A-A"

FINISH	MATERIAL	PART NUMBER
▲▲▲ SELECTIVE-GOLD	CuNiSi, 0.25 Thk	1-368085-1
PRE-TINNED	CuNiSi, 0.25 Thk	368085-1

THIS DRAWING IS A CONTROLLED DOCUMENT FOR TYCO ELECTRONICS CORPORATION
IT IS SUBJECT TO CHANGE AND THE CONTROLLING ENGINEERING ORGANIZATION
SHOULD BE CONTACTED FOR THE LATEST REVISION.

DIMENSIONS: MM	TOLERANCES UNLESS OTHERWISE SPECIFIED: 0 <XX<10 ± 0.2 10<XX<30 ± 0.25 ANGLES ± 3°	DWN KT JUNG CHK KT LIM APVD HG CHD PRODUCT SPEC 108-61021 APPLICATION SPEC 114-61004	 TE Connectivity NAME 090 II MLC RECEP.		RESTRICTED TO
MATERIAL SEE TABLE	FINISH SEE TABLE	WEIGHT	SIZE A3	CAGE CODE 00779	DRAWING NO C-368085
CUSTOMER DRAWING			SCALE 5/1	SHEET 1 OF 1	REV C1