



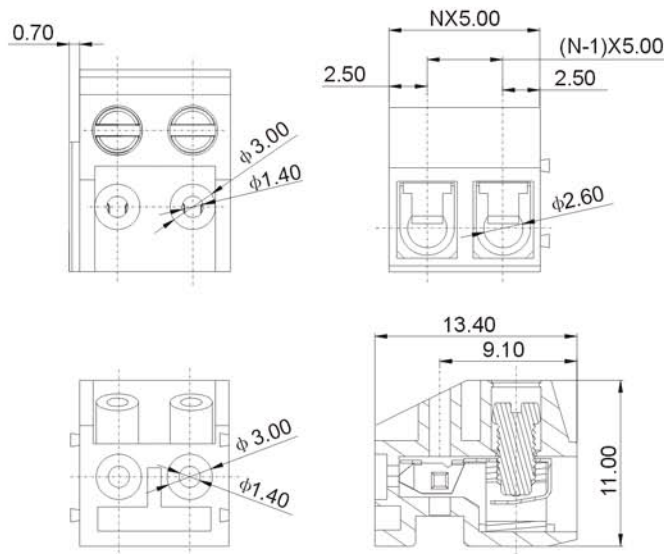
DEGSON ELECTRONICS CO., LTD.

Product Specification



DG332K-5.0

Material	
Screws :	M2.5 steel Zinc plated
Wire guard:	Phosphor bronze, Ni plated
Contact :	Brass, Tin plated
Housing :	PBT, UL94V-0
Electrical	
Rated voltage :	300V
Rated current :	10A
Contact resistance :	20mΩ
Insulation resistance :	5000MΩ /DC 1000V
Withstanding voltage:	AC2000V/1Min
Wire range :	28-16AWG 1.5mm ²
Mechanical	
Temp. Range :	-30°C~+120°C
Torque :	0.4Nm(3.6lb.in)
Strip length :	4.5mm



HOW TO ORDER:

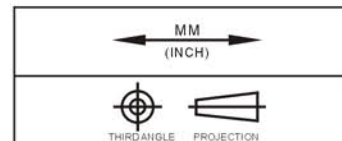


Series No.

No of Pole

Color

1 Gray	4 Green	7 Trans- parent
2 Blue	5 Orange	8 Yellow
3 Black	6 Red	9 White



DEGSON ELECTRONICS CO., LTD.
NAME **DG332K-5.0**