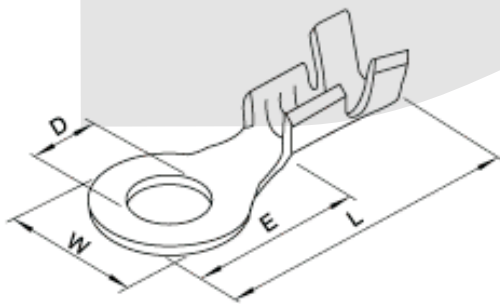


## Terminals Series

### KLS8-01116 Terminal Series

Terminal Material: Brass



VIII

Item No.	Treatment	Material	T mm	Dimension (mm)			Wire range AWG
				W	L	D	
OT-2.2T	Tin-plate	Brass	0.3	4.0	9.7	2.2	
OT-2.5A				5.2	10.8	2.5	
OT-3.2A			0.3~0.5	6.2	13.0	3.2	
OT-3.2C				7.0	16.0	4.2	
OT-4.2A				7.0	16.0	4.2	
OT-4.2B			8.0	16.0	4.2		
OT-5.2C			0.4~0.5	8.0	16.0	5.2	
OT-6.2A				10.0	20.0	6.2	
OT-8.2B				12.0	25.0	8.2	
OT-10.2B				15.0	25.0	10.2	
OT-12.2B				17.5	28.0	12.2	

## ORDER INFORMATION

**KLS8-01116-OT-2.2T-B**

Part Number

Terminal Series

Pack:  
B=Bulk  
R=Reel

Item No.