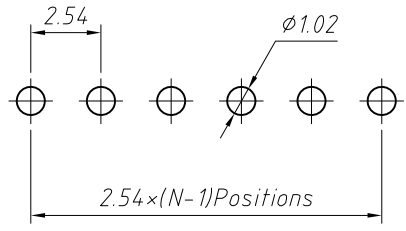
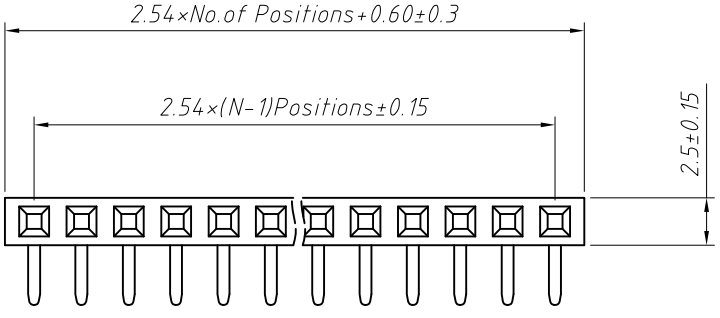


1  
RoHS Compliance

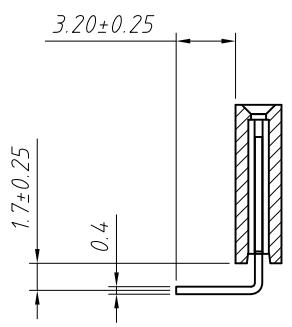
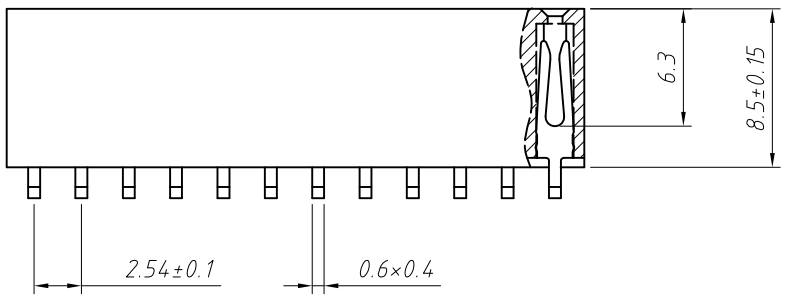


Recommended PCB Hole Layout

**Material:**  
 Standard: PBT/PA6T  
 Contact: Brass  
 Contact plating: Au or Sn Over Ni  
 Nickel Insulator: Polyester, UL94V-0

**Electrical Characteristics:**  
 Rated Current: 3.0AMP  
 Contact Resistance: 20mΩ Max  
 Withstand Voltage: 1000V AC/DC  
 Insulator Resistance: 1000MΩ Min

**Mechanical**  
 Operating Temperature: -40°C ~ +105°C  
 Max. Processing Temp: 180°C for 30-60 seconds (200°C for 10 seconds)



**Order Information:**  
 L-KLS1-208-1-XX-R-B  
 L: RoHS  
 Pin Header Series  
 208: 2.54mm  
 Per Row: Single layer  
 Pin: No. of Pins (1x40)  
 Type: Right Angle Pin  
 Material: A=PBT B=PA6T C=LCP

ANGLE TOLERANCE	PROJECTION	Description:	2.54x8.5mm Female Header	
±3°			Single layer, Right Angle Pin, 1xN Pin	
GENERAL TOLERANCE	UNITS	mm	KLS P/N:	L-KLS1-208-1-XX-R-B
x.x ±0.30	SHEET SIZE	A4		
x.xx ±0.20	Draw:	Daniel	2018-07-10	
x.xxx ±0.10	Check:	Daniel	2018-07-10	

**NingBo KLS ELECTRONIC CO., L TD.**