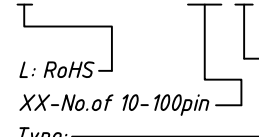


Order Information:

L-KLS1-603C-XX-S



Type: S-Straight pin
R-Right Angle Pin

Material:

Insulator: Glass filled PBT UL 94V-0, Black

Contacts: Brass or Phosphor Bronze

Plating: Contact gold and Cutting Tin over Nickel

Electrical Characteristics:

Current Rating: 2 AMP

Contact Resistance: 30mΩ Max. at DC 100mA

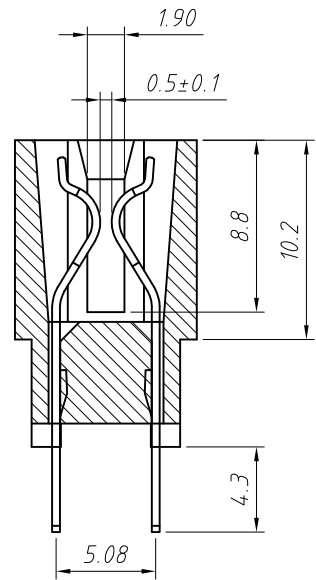
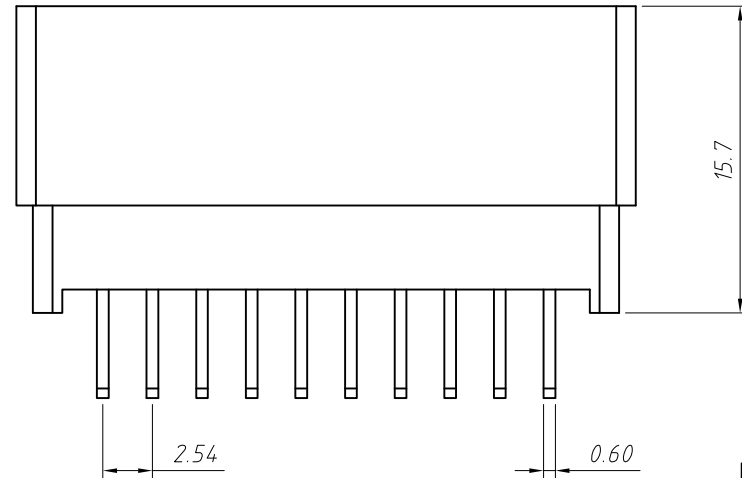
Insulation Resistance: 1000MΩ Min. at 500V DC


Withstanding Voltage: 1000V AC /rms 50Hz for 1 minute

Operating Temperature: -45°C ~ +105°C

Dimension

Pin	A	B	C
06	13.92	10.52	5.08
08	16.46	13.06	7.62
10	19.00	15.60	10.16
12	21.54	18.14	12.70
14	24.08	20.68	15.24
20	31.70	28.30	22.86
22	34.24	30.84	25.40
24	36.78	33.38	27.94
26	39.32	35.92	30.48
30	44.40	41.00	35.56
36	52.02	48.62	43.18
40	57.10	53.70	48.26
44	62.18	58.78	53.34
50	69.80	66.40	60.96
60	82.50	79.10	73.66
62	85.04	81.64	76.20
72	97.74	94.34	88.90
98	138.38	134.98	129.54



GENERAL TOLERANCE		ANGLE TOLERANCE		PROJECTION		Description:	
.X	±0.15	.X	±5°	UNITS	mm	2.54mm Pitch Edge Card Connector Slot PCB Dip 180 Type L-KLS1-603C-XX-S	
.X	±0.03	.X	±3°	SHEET SIZE	A4		
.XX	±0.05	.XX	±2°	KLS P/N:			
Draw by:	Jenny	Date:	2018-03-10	 NingBo KLS ELECTRONIC CO.,L TD.			
Check by:		Date:	2018-03-10				
SCALE		SHEET	1 OF 1				