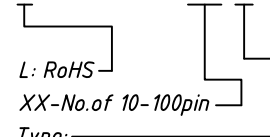


**Order Information:**

L-KLS1-603C-XX-S



Type:  
S-Straight pin  
R-Right Angle Pin

**Material:**

Insulator: Glass filled PBT UL 94V-0, Black

Contacts: Brass or Phosphor Bronze

Plating: Contact gold and Cutting Tin over Nickel

**Electrical Characteristics:**

Current Rating: 2 AMP

Contact Resistance: 30mΩ Max. at DC 100mA

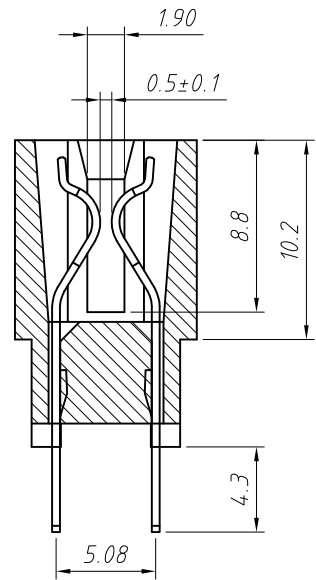
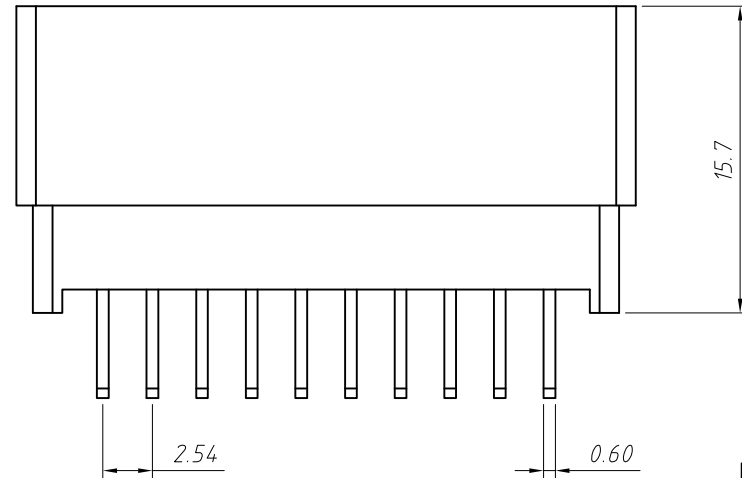
Insulation Resistance: 1000MΩ Min. at 500V DC

Withstanding Voltage: 1000V AC /rms 50Hz for 1 minute

Operating Temperature: -45° C ~ +105° C

**Dimension**

Pin	A	B	C
06	13.92	10.52	5.08
08	16.46	13.06	7.62
10	19.00	15.60	10.16
12	21.54	18.14	12.70
14	24.08	20.68	15.24
20	31.70	28.30	22.86
22	34.24	30.84	25.40
24	36.78	33.38	27.94
26	39.32	35.92	30.48
30	44.40	41.00	35.56
36	52.02	48.62	43.18
40	57.10	53.70	48.26
44	62.18	58.78	53.34
50	69.80	66.40	60.96
60	82.50	79.10	73.66
62	85.04	81.64	76.20
72	97.74	94.34	88.90
98	138.38	134.98	129.54



GENERAL TOLERANCE		ANGLE TOLERANCE		PROJECTION		Description:	
.X	±0.15	.X	±5°	UNITS		2.54mm Pitch Edge Card	
.X	±0.03	.X	±3°	SHEET SIZE	mm	Connector Slot PCB Dip 180 Type	
.XX	±0.05	.XX	±2°		A4	L-KLS1-603C-XX-S	
Draw by: Jenny		Date: 2018-03-10		KLS P/N:			
Check by:		Date: 2018-03-10		NingBo KLS ELECTRONIC CO.,L TD.			
SCALE		SHEET 1 OF 1					