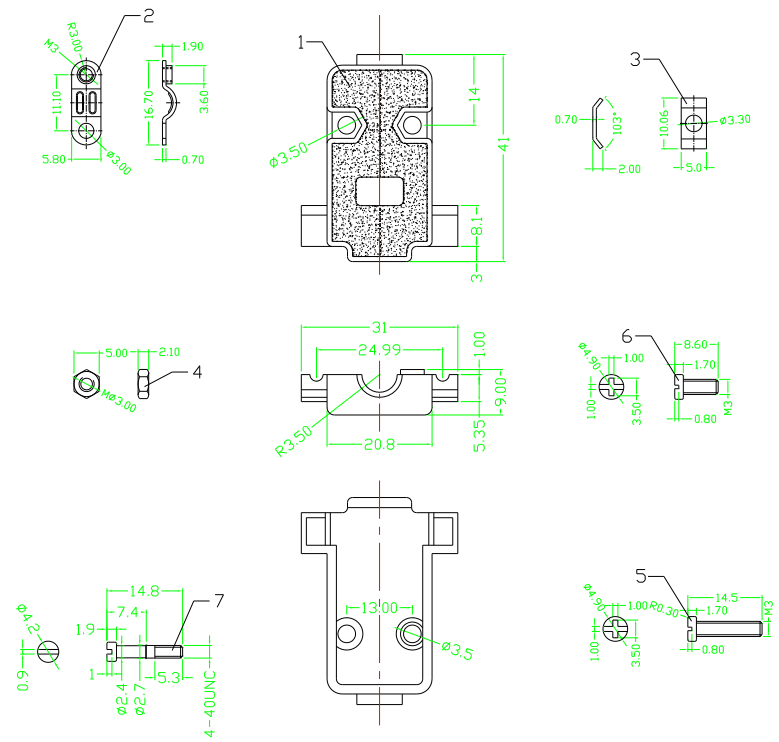


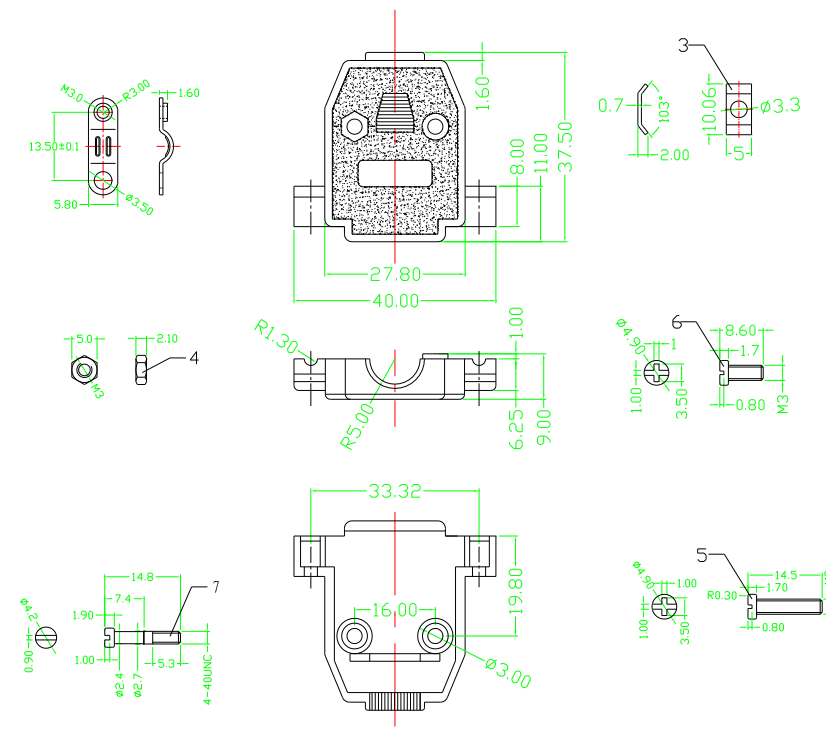
序号/RevNo.	名称/Title	文件编号/File No.
1	158塑料件	QJ/XYT-11197
2	158卡片(小卡)	QJ/XYT-11201
3	158垫片	QJ/XYT-11204
4	158螺帽	QJ/XYT-11205
5	158外壳紧固螺丝	QJ/XYT-11206
6	158垫片紧固螺丝	QJ/XYT-11207
7	158螺丝(短)	QJ/XYT-11209



设计/Designed by	绘图/Drawing by	审核/Checked by	批准/Approved by	未注公差 General Tolerance
				x, ±0.2 x', ±2' .x ±0.1 .x' ±1' .xx ±0.05 .x' ±0.5' .xxx ±0.01 .xx' ±0.1'
图名/Title			文件编号/File No.	页序/Sheet
158-9P产品图				
备注/Remark			单位/units: mm	

序号/revno.	更改记录/revision note	签名/signature	日期/date

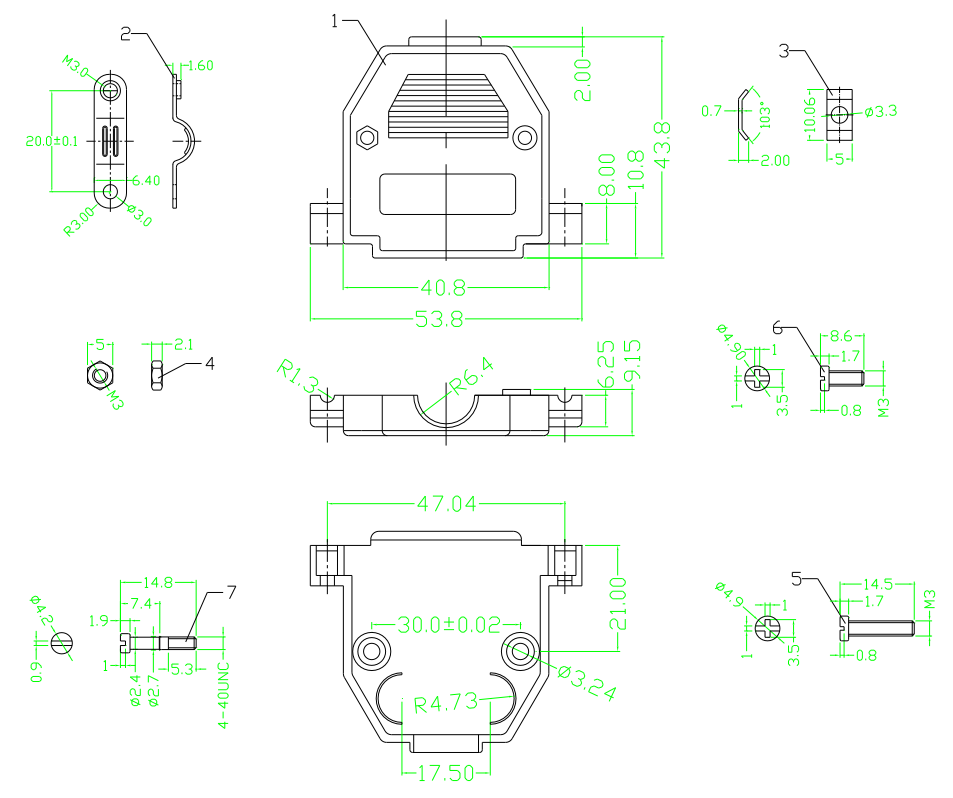
序号/RevNo.	名称/Title	文件编号/File No.
1	158-15P塑件	QJ/XYT-11198
2	158卡片(中卡)	QJ/XYT-11202
3	158垫片	QJ/XYT-11204
4	158螺帽	QJ/XYT-11205
5	158外壳紧固螺丝	QJ/XYT-11206
6	158垫片紧固螺丝	QJ/XYT-11207
7	158螺丝(短)	QJ/XYT-11209



设计/Designed by	绘图/Drawing by	审核/Checked by	批准/Approved by	未注公差 General Tolerance
				x, ±0.2 x', ±2' .x ±0.1 .x' ±1' .xx ±0.05 .x' ±0.5' .xxx ±0.01 .xx' ±0.1'
图名/Title			文件编号/File No.	页序/Sheet
158-15P产品图				
备注/Remark			单位/units: mm	

序号/RevNo.	更改记录/revision note	签名/signature	日期/date

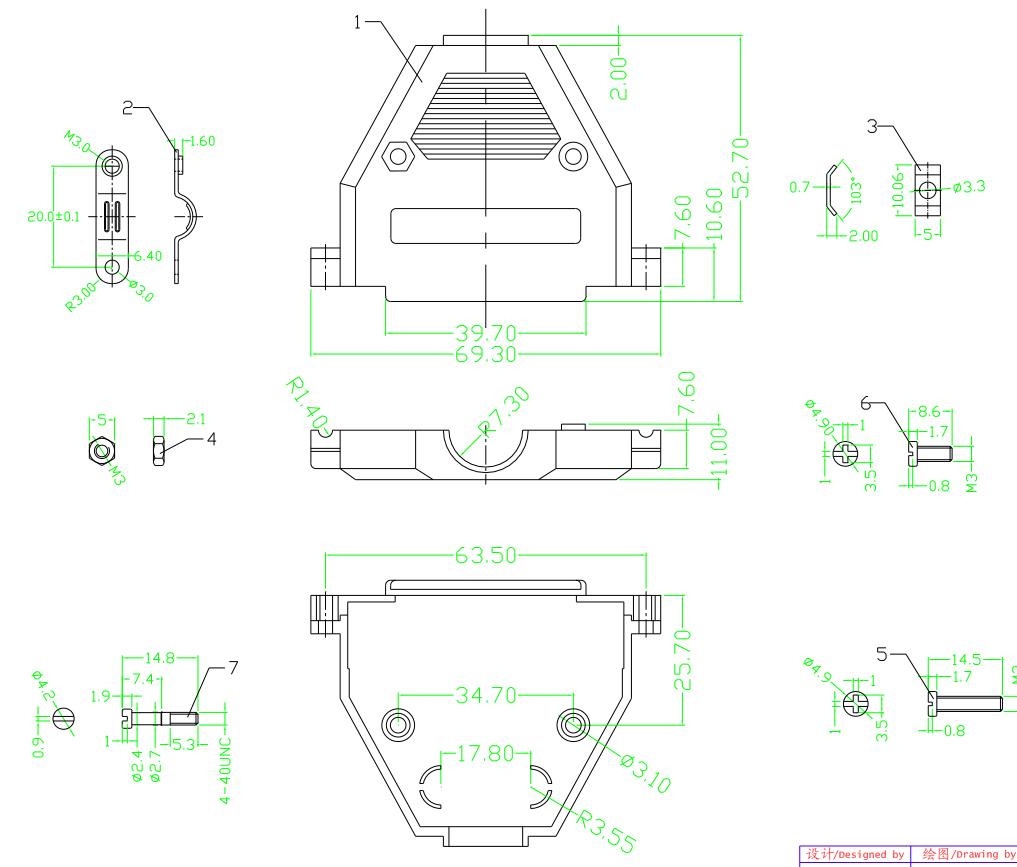
序号/RevNo.	名称/Title	文件编号/File No.
1	158-25P塑件	QJ/XYT-11199
2	158卡片(大卡)	QJ/XYT-11203
3	158垫片	QJ/XYT-11204
4	158螺帽	QJ/XYT-11205
5	158外壳紧固螺丝	QJ/XYT-11206
6	158垫片紧固螺丝	QJ/XYT-11207
7	158螺丝(短)	QJ/XYT-11209



设计/Designed by	绘图/Drawing by	审核/Checked by	批准/Approved by	未注公差 General Tolerance
				x, ±0.2 x', ±2' .x ±0.1 .x' ±1' .xx ±0.05 .x' ±0.5' .xxx ±0.01 .xx' ±0.1'
图名/Title			文件编号/File No.	页序/Sheet
158-25P产品图				
备注/Remark			单位/units: mm	

序号/revno.	更改记录/revision note	签名/signature	日期/date

序号/RevNo.	名称/Title	文件编号/File No.
1	158-37P塑件	QJ/XYT-11200
2	158卡片(大卡)	QJ/XYT-11203
3	158垫片	QJ/XYT-11204
4	158螺帽	QJ/XYT-11205
5	158外壳紧固螺丝	QJ/XYT-11206
6	158垫片紧固螺丝	QJ/XYT-11207
7	158螺丝(短)	QJ/XYT-11209



设计/Designed by	绘图/Drawing by	审核/Checked by	批准/Approved by	未注公差 General Tolerance
				x, ±0.2 x', ±2' .x ±0.1 .x' ±1' .xx ±0.05 .x' ±0.5' .xxx ±0.01 .xx' ±0.1'
图名/Title			文件编号/File No.	页序/Sheet
158-37P产品图				
备注/Remark			单位/units: mm	

序号/RevNo.	更改记录/revision note	签名/signature	日期/date