

## DIP PLUG Series

KLS1-205 DIP PLUG 2.54mm(0.100") /DC4(F.D)扁平电缆连接器

### Electrical Characteristics:

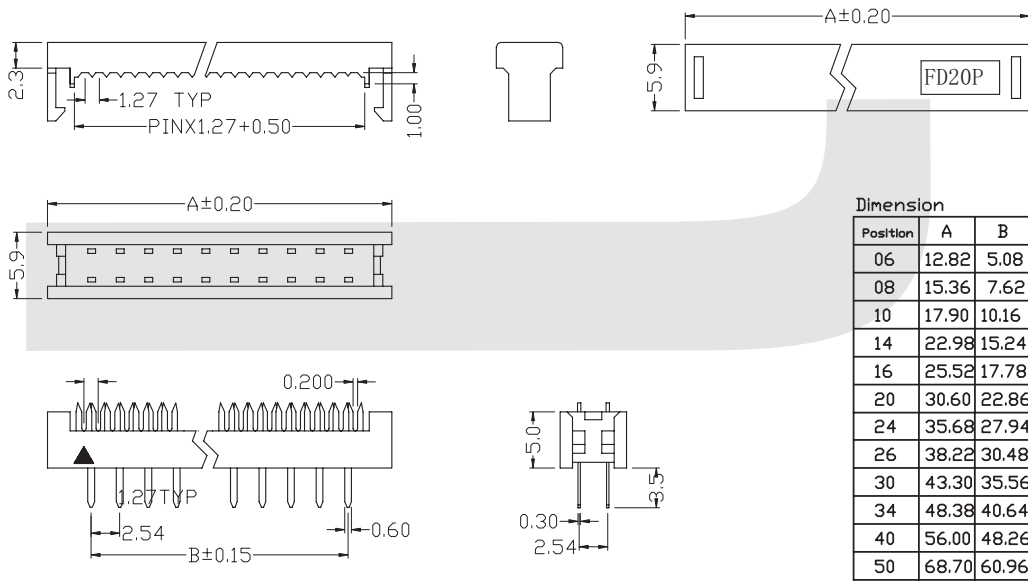
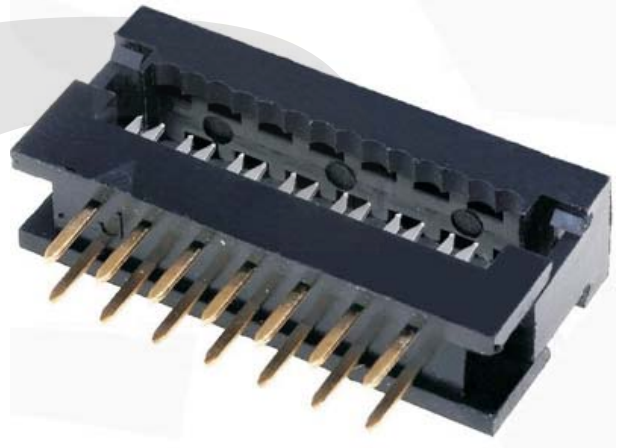
Current Rating: 1 AMP  
Insulator Resistance: 5000MΩmin. at DC 500V  
Contact Resistance: 20mΩmax. at DC 100mA  
Operating Temperature: -45°C~+105°C

### Material:

Housing: 30% Glass filled PBT UL94V-0  
Contacts: Brass or Phosphor Bronze  
Plating: Selective gold plated: gold plated on mating area and nickel plated on wire cutting area  
Gold plated: 2u". over 50u" nickel  
Tin plated: 100u". over 50u" nickel  
Cable: 1.27mm(0.050") pitch flat cable

### Features:

- \* Fast connection of flat cable to PC board.
- \* Recommended 28AWG 1.27mm(0.05") flat cable.
- \* Plug directly into 2.54mmX2.54mm PC board.



## ORDER INFORMATION

Product No.: KLS1-205-XX-B

Pos. No. \_\_\_\_\_ Insulator Color: B=Black G=Gray  
DIP PLUG 2.54mm Series \_\_\_\_\_ Number of Contacts: XX=06-50Pin

