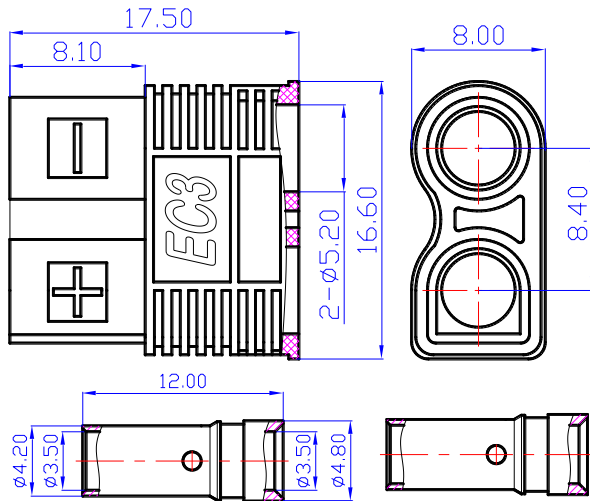


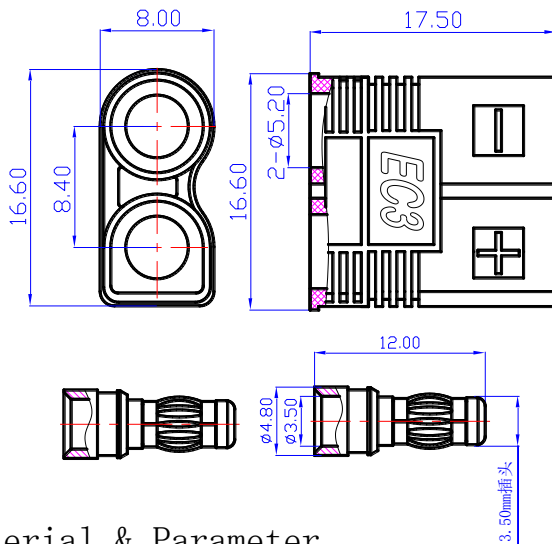
# DC EC3



EC3-M

## Material & Parameter

Item No.	EC3-M	CR	0.60mΩ
COLOR	5		DC 500V
Metal Material	Brass Gold Plated	RC	25A
Plastic Material	PA	MC	50A
FR LEVEL	UL94 V0	USE TIMES	1000 TIMES
Recommend USE	BATTERY	Cable SPEC.	14AWG
CERTIFICATION	---	TEMPERATURE	-20℃ to 120℃



EC3-F

## Material & Parameter

Item No.	EC3-F	CR	0.60mΩ
COLOR	5		DC 500V
Metal Material	Brass Gold Plated	RC	25A
Plastic Material	PA	MC	50A
FR LEVEL	UL94 V0	USE TIMES	1000 TIMES
Recommend USE	CONTROLLER	Cable SPEC.	14AWG
CERTIFICATION	---	TEMPERATURE	-20℃ to 120℃