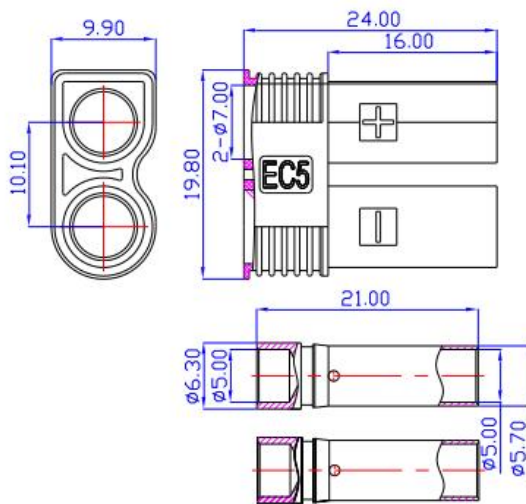


# Переходник питания: гнездо EC5F - штекер EC5M x2шт Кабель L=10см

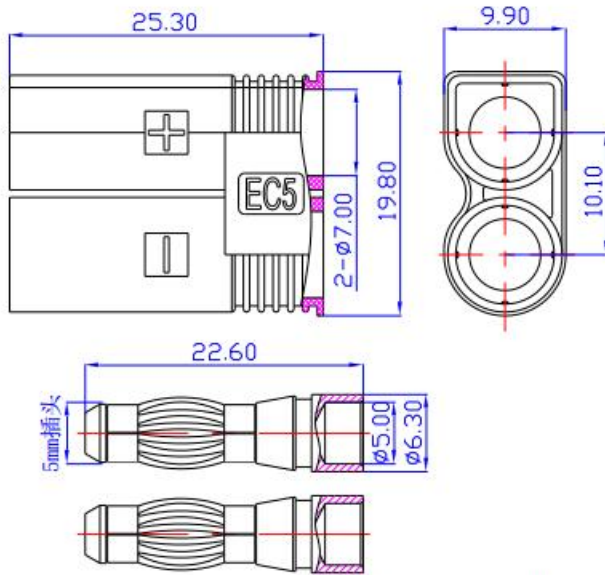
Артикул Q-12967



EC5-F

## Material & Parameter

Item No.	EC5-F	CR	0.40mΩ
COLOR	5		DC 500V
Metal Material	Brass Gold Plated	RC	40A
Plastic Material	PA	MC	90A
FR LEVEL	UL94 V0	USE TIMES	1000 TIMES
Recommend USE	BATTERY	Cable SPEC.	10AWG
CERTIFICATION	---	TEMPERATURE	-20°C to 120°C



EC5-M

### Material & Parameter

Item No.	EC5-M	CR	0.40mΩ
COLOR	5		DC 500V
Metal Material	Brass Gold Plated	RC	40A
Plastic Material	PA	MC	90A
FR LEVEL	UL94 V0	USE TIMES	1000 TIMES
Recommend USE	CONTROLLER	Cable SPEC.	10AWG
CERTIFICATION	---	TEMPERATURE	-20℃ to 120℃