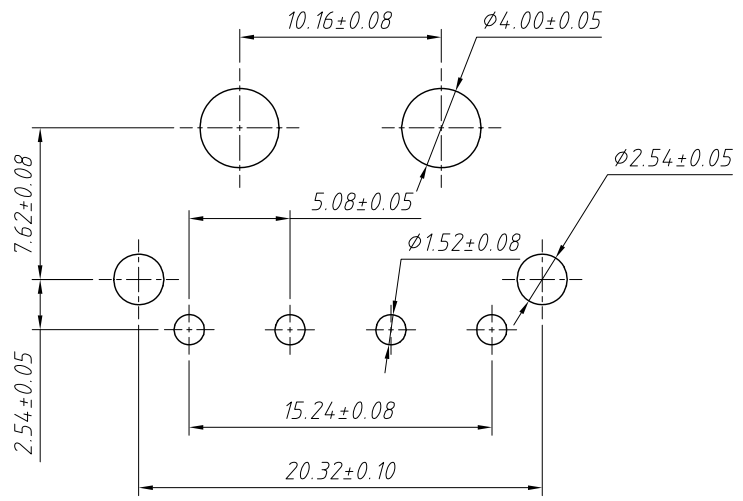
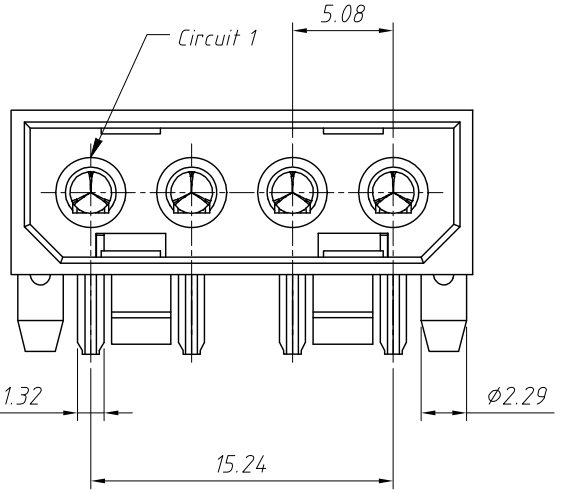


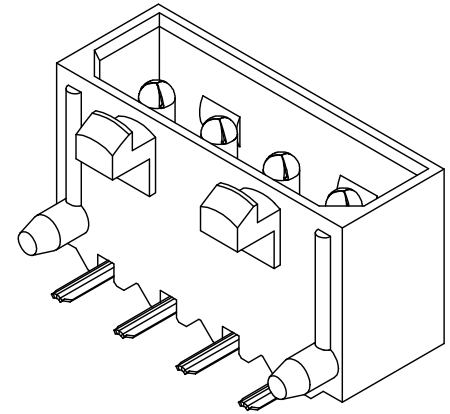
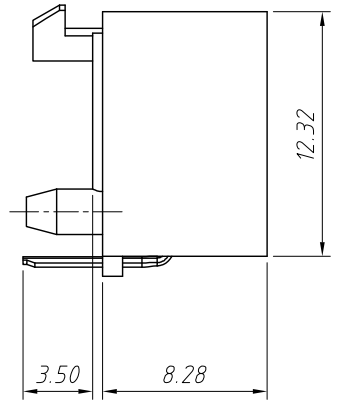
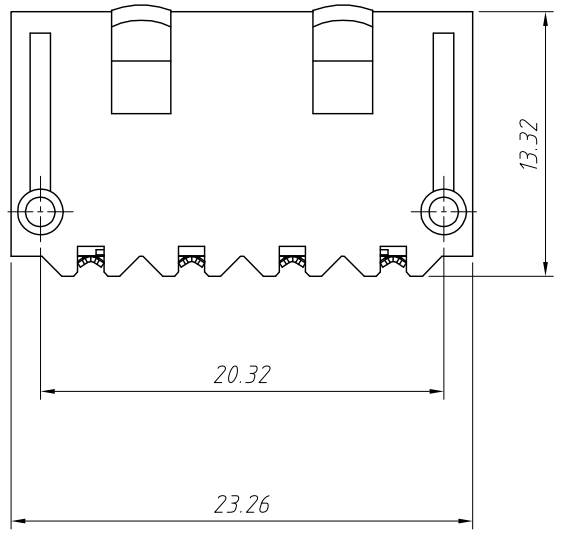
1
RoHS Compliance



PCB LAYOUT

Material:
Housing:PA66,UL 94V-2
Contact:Brass
Plating: Tin Plated

Electrical Characteristics:
Rated Current:10.0AMP
Voltage rating:250V AC,DC
Temperature range:-25°C ~ + 85°C
Insulator Resistance:1000MΩ Min
Withstand Voltage:1500V AC/DC
Contact Resistance:10mΩ Max



Order Information:
L-KLS1-XL1-5.08-04-R

L: RoHS
Pitch:5.08mm
XX-No.of 04 Pins
Type:
H1-Hosing R1-Right angle male pin
FH-Female Hosing MH-Male Hosing
FT-Female Terminal MT-Male Terminal
S-Straight male pin R-Right angle male pin

ANGLE TOLERANCE	PROJECTION	Description:	5.08mm 8981 Type
±3°			Wire To Board Connector
GENERAL TOLERANCE	UNITS	mm	KLS P/N:
x.x ±0.30	SHEET SIZE	A4	L-KLS1-XL1-5.08-04-R
x.xx ±0.20	Draw:	Daniel	2021-01-11
x.xxx ±0.10	Check:	Daniel	2021-01-11

