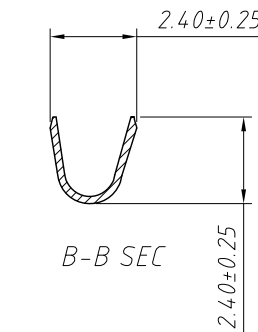
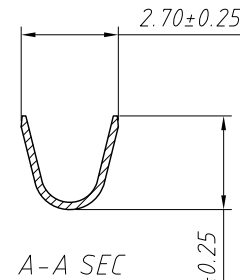
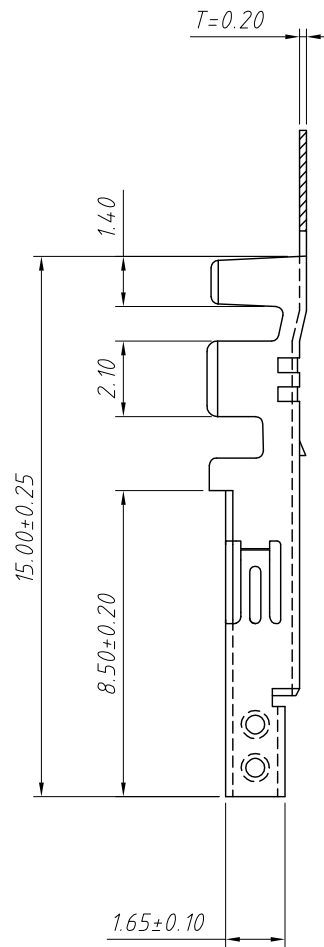
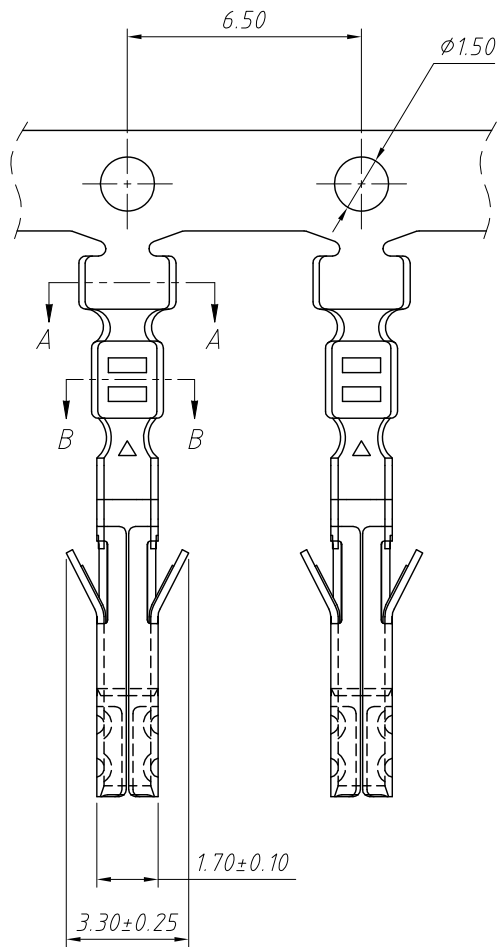


1 RoHS Compliance



Material:  
Terminal: Brass or Phosphor Borecorded  
Finish: Tin Plated  
Applicable wire: AWG#20-#24

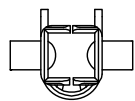
Electrical Characteristics:  
Rated Current: 7.0A AC,DC  
Voltage rating: 600V AC,DC  
Temperature range:  $-25^{\circ}\text{C} \sim +85^{\circ}\text{C}$   
Insulator Resistance:  $1000\text{M}\Omega$  Min  
Withstanding Voltage: 1500V AC/minute  
Contact Resistance:  $20\text{m}\Omega$  Max

Order Information:

L-KLS1-4.20-FT

L: RoHS  
Pitch: 4.20mm

Type:  
MH / FH -Hosing  
MT / FT -Terminal  
W1-Without ear



ANGLE TOLERANCE	PROJECTION	Description:	4.20mm Pitch Molex Mini-Fit JR 5556 5557 5559 5566 5569 Wire To Board Connector
$\pm 3^{\circ}$			
GENERAL TOLERANCE	UNITS	mm	KLS P/N: L-KLS1-4.20-FT
x.x $\pm 0.30$	SHEET SIZE	A4	
x.xx $\pm 0.20$	Draw:	Daniel	2021-01-11
x.xxx $\pm 0.10$	Check:	Daniel	2021-01-11



NingBo KLS ELECTRONIC CO.,L TD.