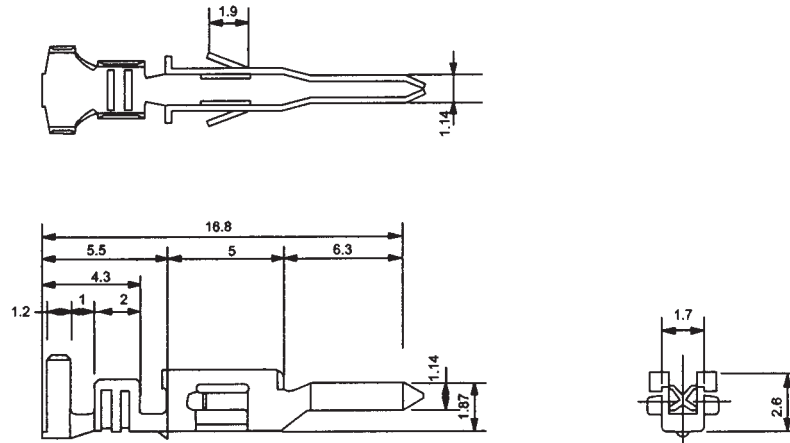


WW420 CONNECTOR SYSTEM

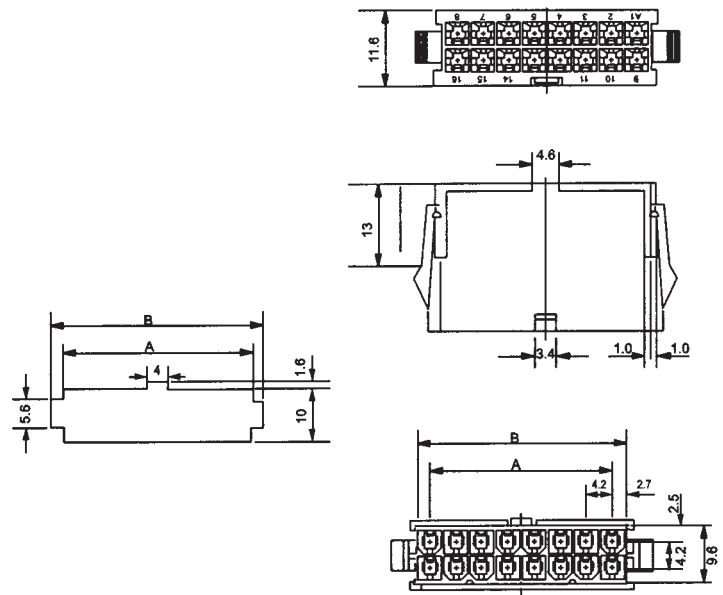
.165" (4.2mm) pitch wire-to-wire (board) type



PART NO.	WIRE RANGE		MATERIAL/	THICKNESS	INSULATION	REEL
	AWG#	mm ²	FINISH	mm	O.D.(mm)	PCS
WW420-MT	18-22	0.83-0.33	BRASS/TIN	0.25	3.0-1.7	5000

WW420-F SERIES HOUSING

MATERIAL : NYLON 66 UL 94V-2
 ACCEPT WW420-MT TERMINAL
 MATE WITH WW420-M SERIES HOUSING
 CURRENT RATING : 9A AC,DC
 VOLTAGE RATING : 600V AC,DC
 CONTACT RESISTANCE : 10mΩ MAX
 INSULATION RESISTANCE : 1000MΩ MIN
 WITHSTANDING VOLTAGE : 1500V AC/MINUTE
 TEMPERATURE RANGE : -25°C TO +85°C
 APPLICABLE PANEL THICKNESS : 2.54 MAX



POLES	PART NO.	DIMENSIONS (mm)				POLES	PART NO.	DIMENSIONS (mm)			
		A	B	C	D			A	B	C	D
2	WW420-F02		5.4	5.8	10.8	14	WW420-F14	25.2	30.6	31.0	36.0
4	WW420-F04	4.2	9.6	10.0	15.0	16	WW420-F16	29.4	34.8	35.0	40.2
6	WW420-F06	8.4	13.8	14.2	19.2	18	WW420-F18	33.6	39.0	39.4	44.4
8	WW420-F08	12.6	18.0	18.4	23.4	20	WW420-F20	37.8	43.2	43.6	48.6
10	WW420-F10	16.8	22.2	22.6	27.6	22	WW420-F22	42.0	47.4	47.8	52.8
12	WW420-F12	21.0	26.4	26.8	31.8	24	WW420-F24	46.2	51.6	52.0	57.0