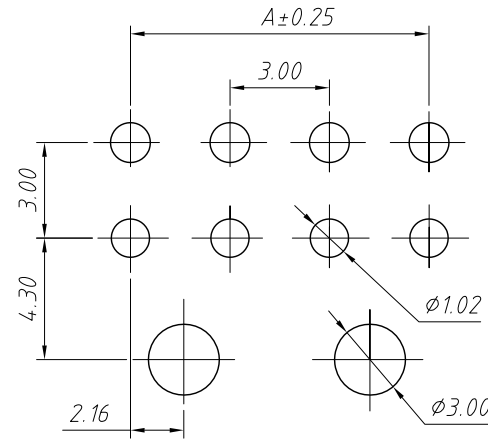
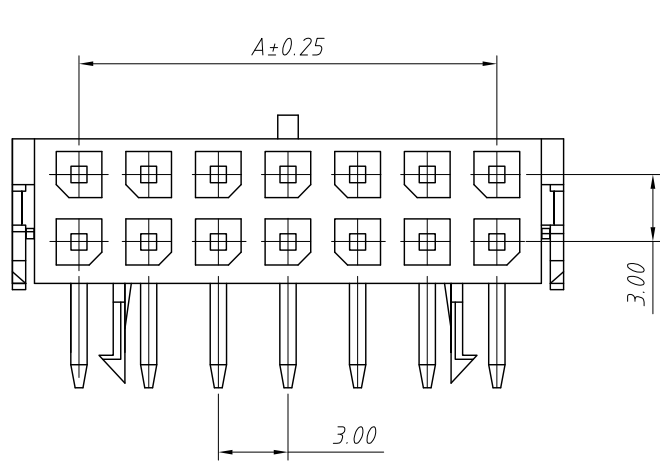
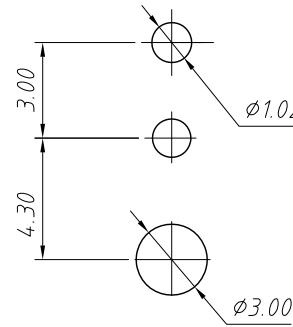


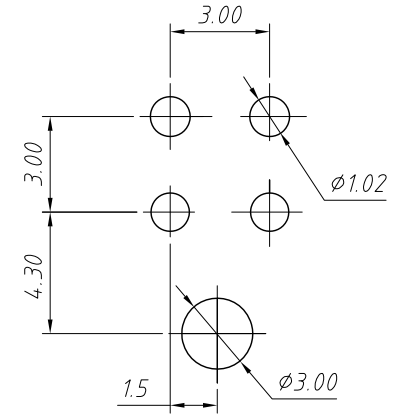
1 RoHS Compliance



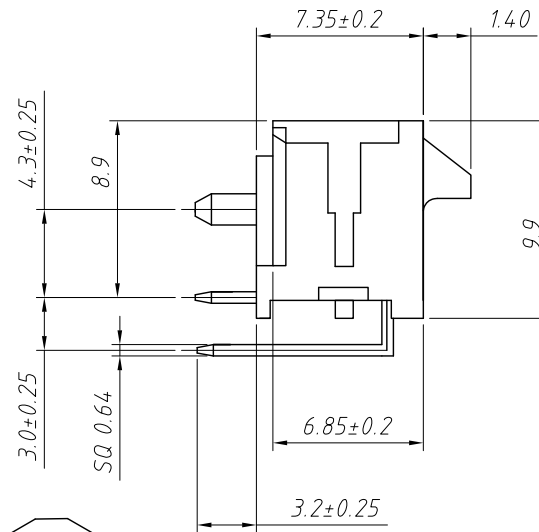
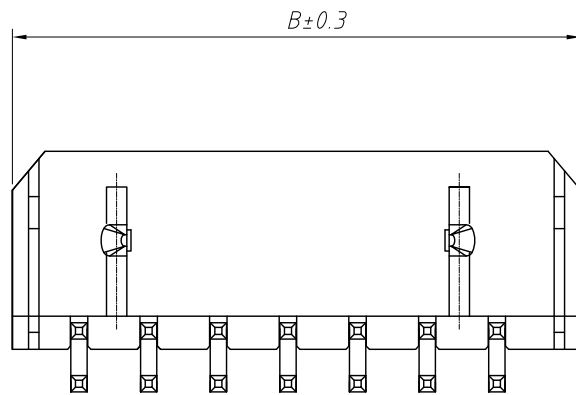
2x4P~2x12P P.C.B LAYOUT



2x1P P.C.B LAYOUT



2x2P~2x3P P.C.B LAYOUT



Pin	Dimensions(mm)	
	A	B
01	---	6.65
02	3.00	9.65
03	6.00	12.65
04	9.00	15.65
05	12.00	18.65
06	15.00	21.65
07	18.00	24.65
08	21.00	27.65
09	24.00	30.65
10	27.00	33.65
11	30.00	36.65
12	33.00	39.65

Order Information:

L-KLS1-XM1-3.00-2x02-R

L: RoHS

Pitch:3.00mm

Pins:

1-Single layer

2-Double layer

XX-No.of 01~12 pins

Type:

R / RC-Right angle male pin

Material:

Insulator:PA46 , UL94 V-0

Contact:Brass

Plating:Tin plated

Electrical Characteristics:

Rated Current:5.0AMP

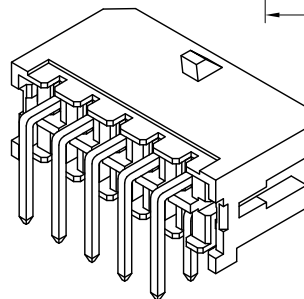
Voltage rating:250V AC,DC

Temperature range:-25°C ~ + 85°C

Insulator Resistance:1000MΩ Min

Withstanding Voltage:1500V AC/minute

Contact Resistance:10mΩ Max

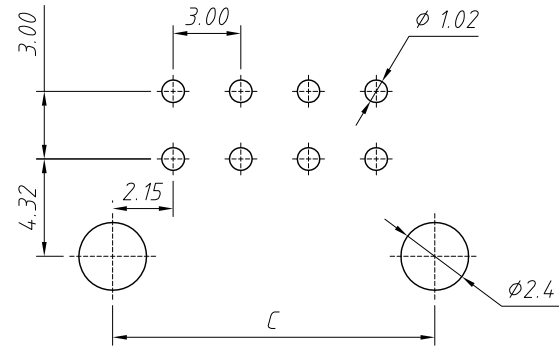
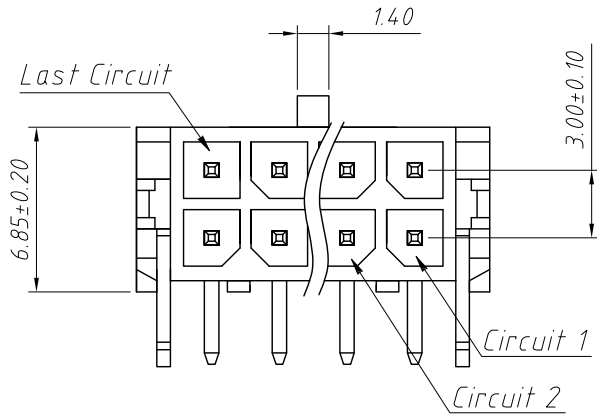


ANGLE TOLERANCE	PROJECTION	Description:
±3°		3.0mm Pitch Molex Micro Fit 3.0 43020 43025 43045 43030 43031 43645 43640 Wire To Board Connector
GENERAL TOLERANCE	UNITS	mm
x.x ±0.30	SHEET SIZE	A4
x.xx ±0.20	Draw:	Daniel 2021-01-11
x.xxx ±0.10	Check:	Daniel 2021-01-11



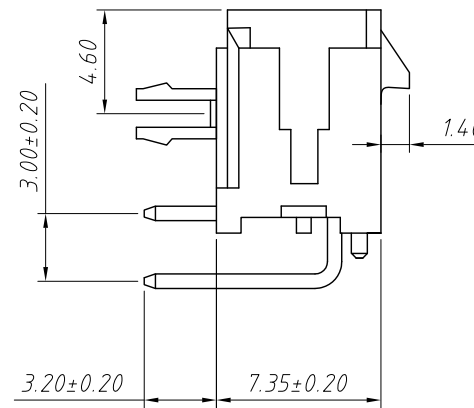
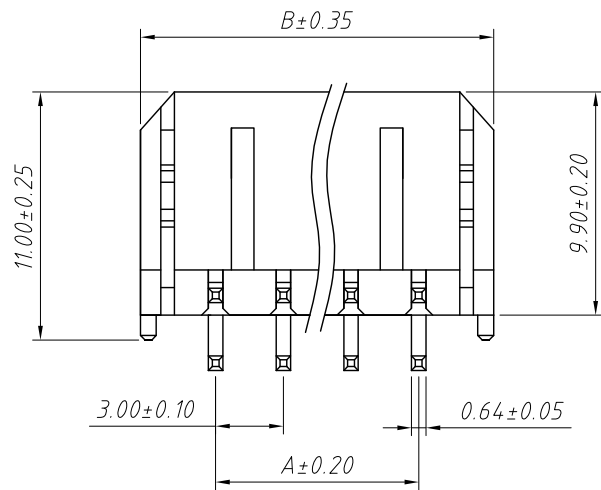
NingBo KLS ELECTRONIC CO.,L TD.

1 RoHS Compliance



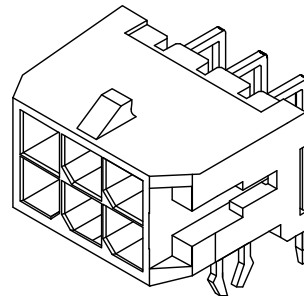
Recommended P.C.B. Layout  
Total tolerance: ±0.05mm

Pin	Dimensions(mm)		
	A	B	C
01	---	6.65	4.30
02	3.00	9.65	7.30
03	6.00	12.65	10.30
04	9.00	15.65	13.30
05	12.00	18.65	16.30
06	15.00	21.65	19.30
07	18.00	24.65	22.30
08	21.00	27.65	25.30
09	24.00	30.65	28.30
10	27.00	33.65	31.30
11	30.00	36.65	34.30
12	33.00	39.65	37.30



**Material:**  
Insulator: PA46, UL94V-0  
Contact: Brass, Tin plated

**Electrical Characteristics:**  
Rated Current: 5.0AMP  
Voltage rating: 250V AC, DC  
Temperature range: -25°C ~ +85°C  
Insulator Resistance: 1000MΩ Min  
Withstanding Voltage: 1500V AC/minute  
Contact Resistance: 10mΩ Max



**Order Information:**  
L-KLS1-XM1-3.00-2x02-RC

L: RoHS  
Pitch: 3.00mm  
Pins: \_\_\_\_\_  
1-Single layer  
2-Double layer  
XX-No. of 01~12 pins  
Type: \_\_\_\_\_  
R / RC-Right angle male pin

ANGLE TOLERANCE	PROJECTION	Description:	3.0mm Pitch Molex Micro Fit 3.0 43020 43025
±3°			43045 43030 43031 43645 43640 Wire To Board Connector
GENERAL TOLERANCE	UNITS	mm	KLS P/N: L-KLS1-XM1-3.00-2x02-RC
x.x ±0.30	SHEET SIZE	A4	NingBo KLS ELECTRONIC CO.,L TD.
x.xx ±0.20	Draw:	Daniel 2021-01-11	
x.xxx ±0.10	Check:	Daniel 2021-01-11	