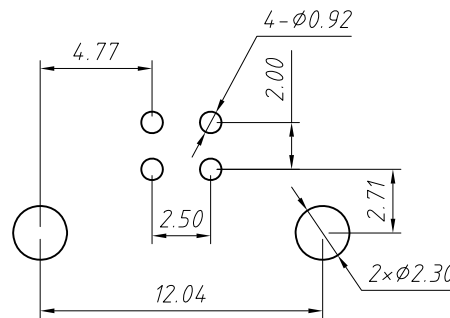
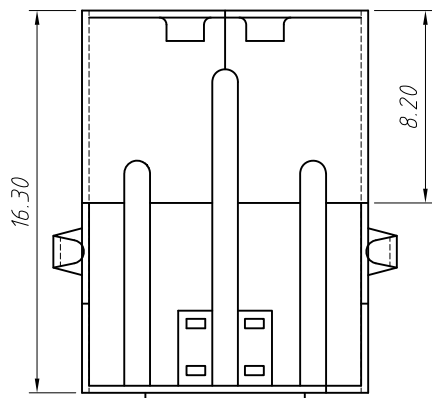


Material:
 Insulator: PBT UL 94V-0, Black/White.
 Contacts: Brass C2680.
 Shell: C2680/SPCC.

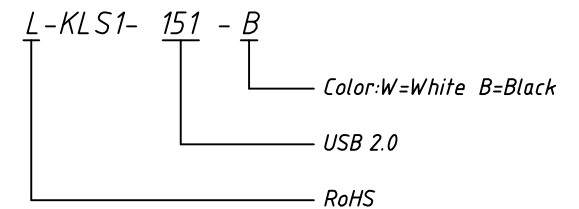
Finish:
 Contact: Contact area gold plated 1U";
 Bright tin plating 40u" Min in welding area.
 Shell: Nickel plating 40u" Min.

Electrical:
 Contact Resistance: 30mΩ Max.
 Insulation Resistance: 1000MΩ Min.
 Dielectric Withstanding Voltage: 500 V AC at per minute.



RECOMMENDED PCB LAYOUT

Order Information



GENERAL TOLERANCE	PROJECTION		Description:
X. ±0.50	UNITS	mm	CONN COM TYPE B USB Female VERT 4POS
.X ±0.25	SCALE	1:1	
.XX ±0.10	Draw by:	Jenny	KLS P/N: L-KLS1-151-X
ANGLE TOLERANCE	Check by:		NingBo KLS ELECTRONIC CO.,L TD.
X. ±5°	Date	2018-03-01	
.X ±3°	SHEET	1 OF 1	
.XX ±2°			