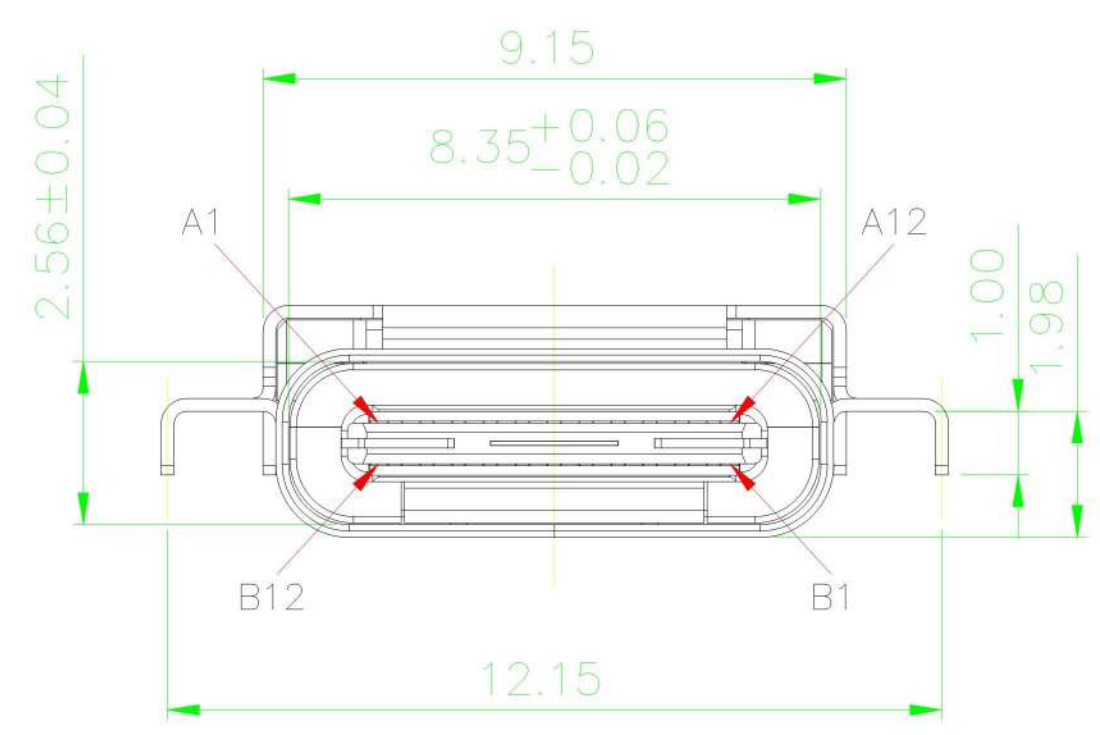
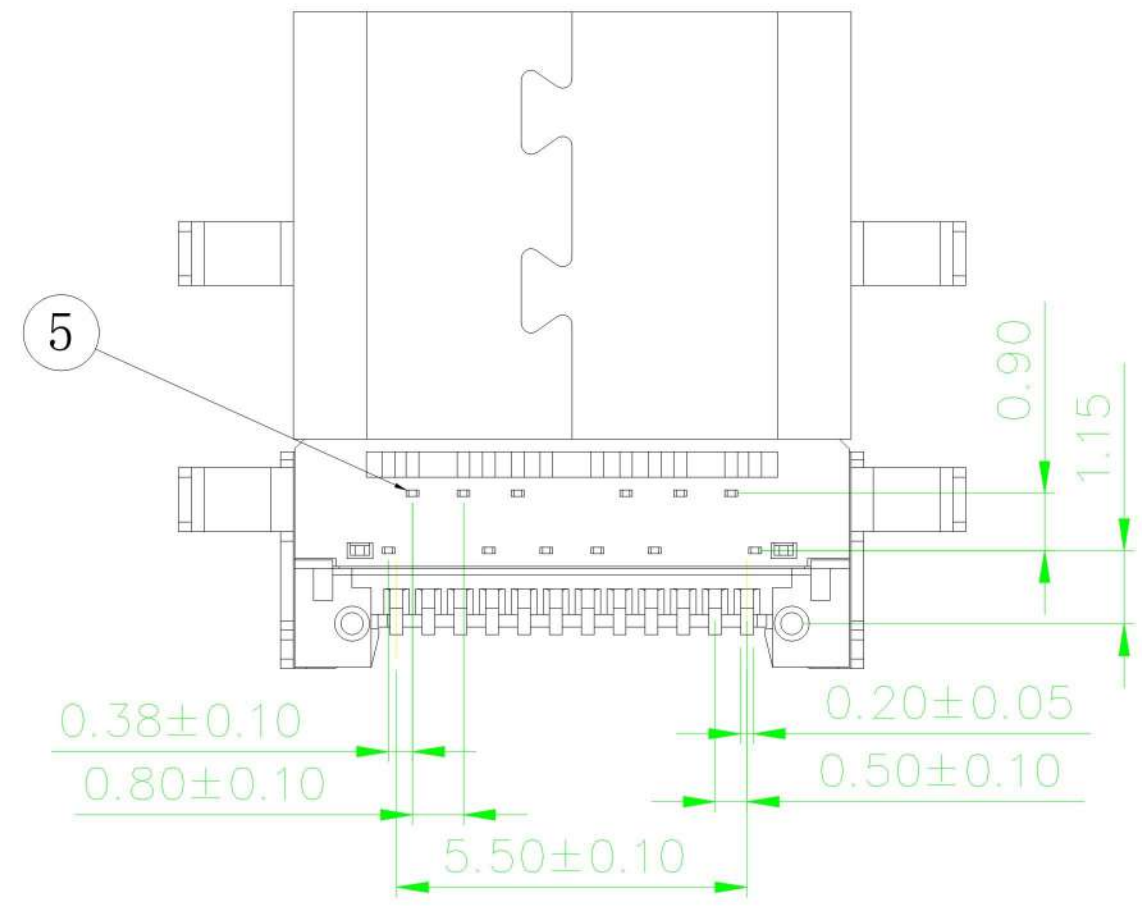
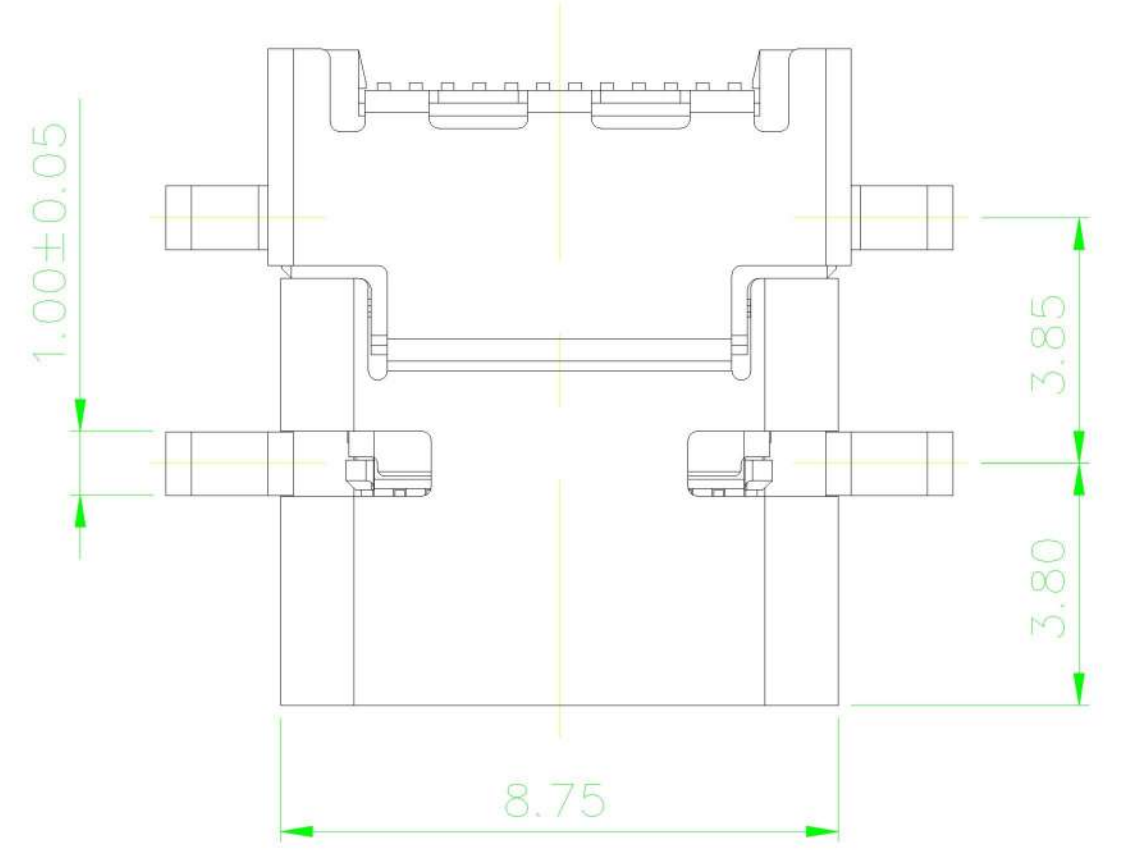
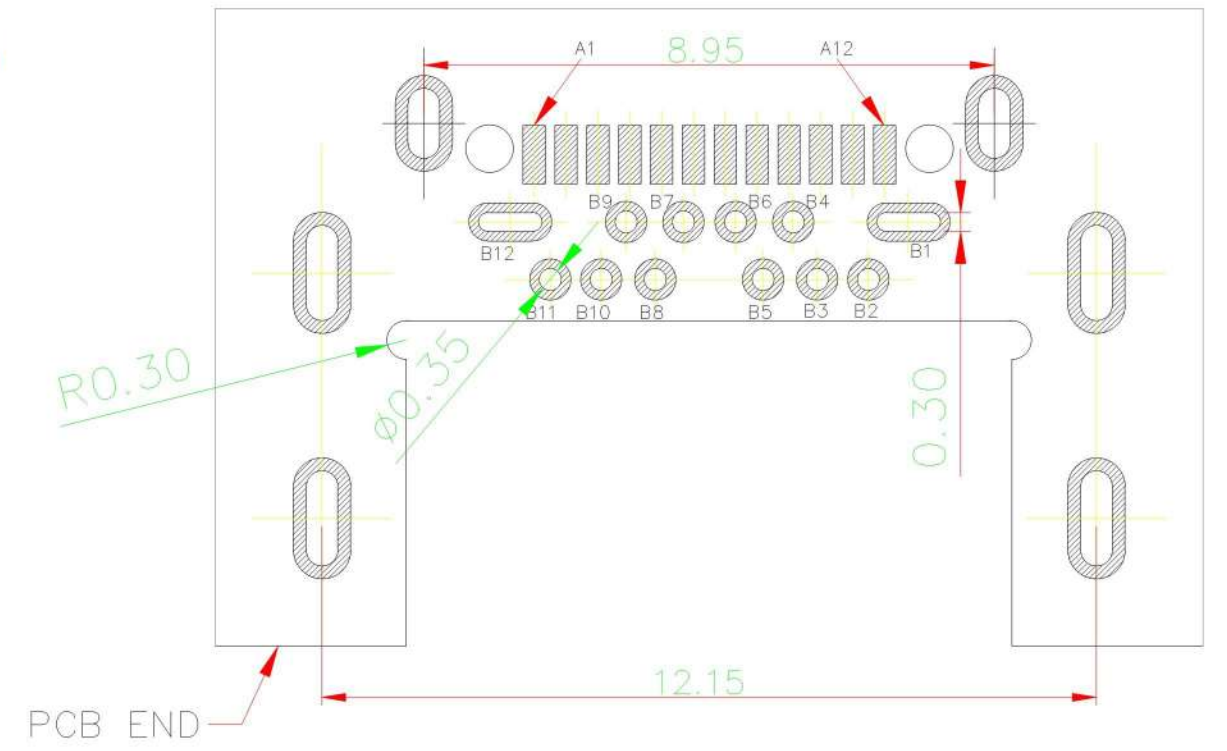
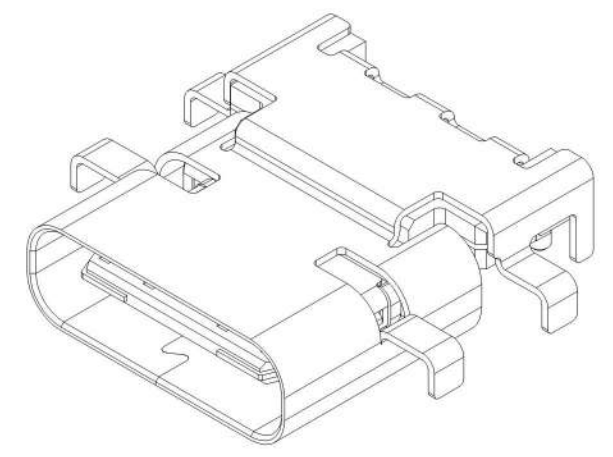


REV.	ECN NO.	DESCRIPTION	DRAW	APPD.	DATE
A	---	?????	DMX	DMX	2016.01.25

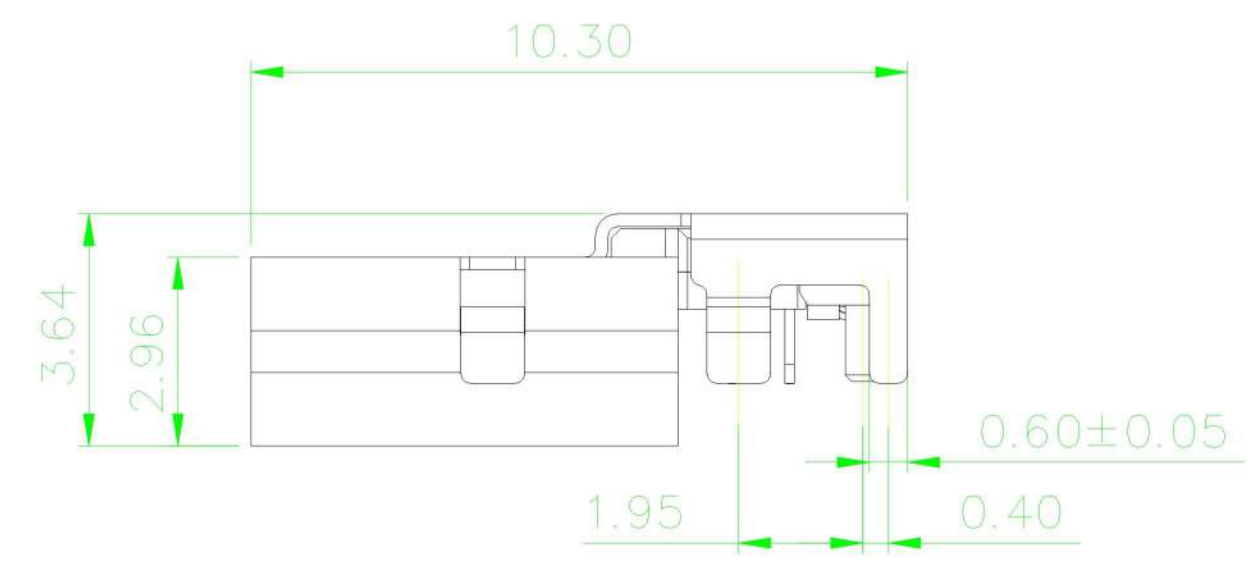
- NOTES:  
SPECIFICATION:
- CURRENT RATING: 5.0A MAX
  - VOLTAGE: 100 VAC
  - TEMPERATURE RANGE: -30 °C ~ 85 °C
  - CONTACT RESISTANCE: 40 MILLIONHM MAX
  - INSULATION RESISTANCE: 100 MEGOHMS MIN.
  - INSERTION FORCE : 5N~20N
  - UNMATING FORCE: 8N~20N
  - DURABILITY: 10,000 CYCLES



**ITEM:USB3.1 TYPE-C 24PF-005**



PCB LAYOUT (RECOMMENDED)  
(Tol: ±0.05)



5	SHELL	STAINLESS STEEL	NI/SN Plated	1PCS
4	SPRING	STAINLESS STEEL	---	1PCS
3	SHIELDING PLATE	STAINLESS STEEL	NI Plated	1PCS
2	CONTACT	COPPER ALLOY	Au15u"/NI Plated	1SET
1	HOUSING	HIGH TEMPERATURE PLASTIC	BLACK	1PCS
NO.	DESCRIPTION	MATERIAL	REMARKS	QTY

TOLERANCE		NAME(INTENDED USE) CUSTOMER DRAWING	
X.X ±0.30	X.* ± 2°	PART NO.	TITLE:
.XX ±0.20	.X* ± 1°	014101040-010	USB C F TYPE DIP+SMT 长体
.XXX ±0.10	.XX* ±0.5°	APPD:	DRAWG NO.
UNITS	mm		0141-0010
MATERILA		CHED:	
FINISH		DRAW:	
			SCALE SHEET REV.
			1:1 1/1 A