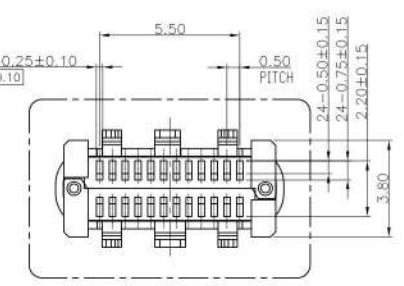
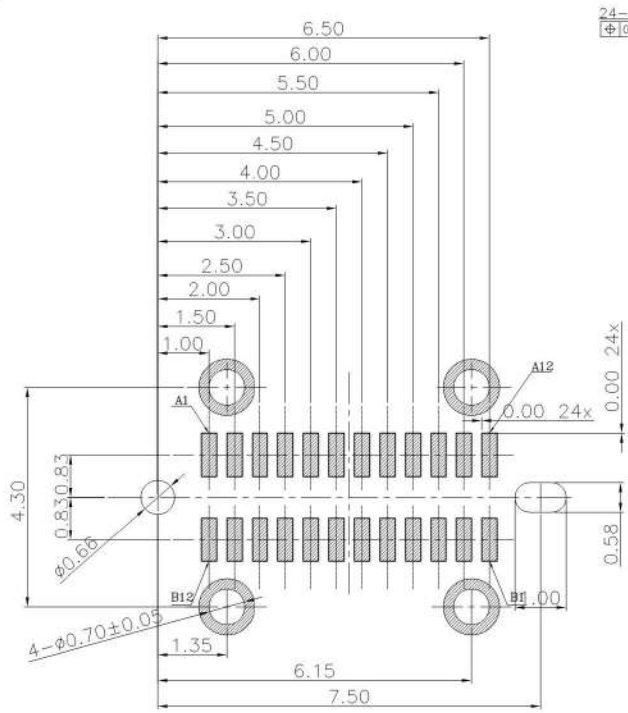
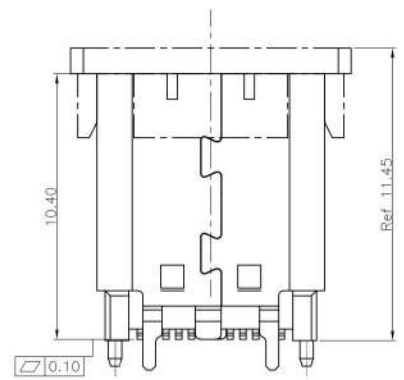
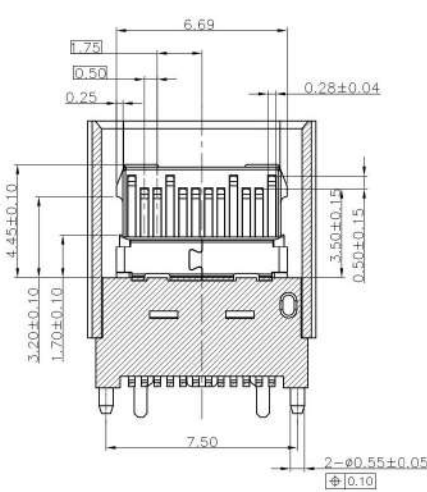
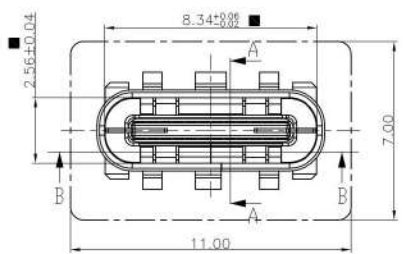
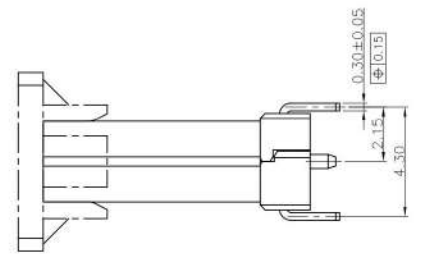
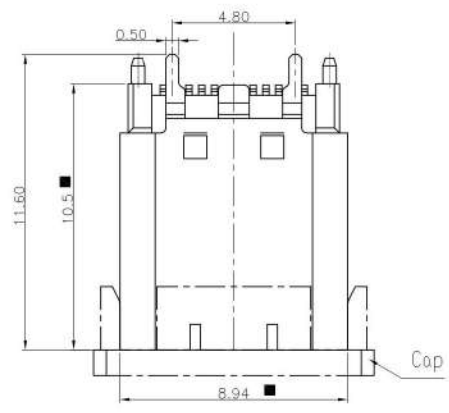
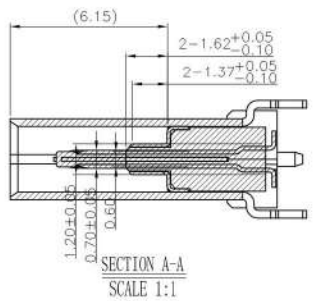


1 2 3 4 5 6 7 8 9 10 11 12 13 14 15 16 17

A B C D E F G H I J K L M



NOTES:
1.MATERIAL:
 MOLDING: LCP UL94 V-0
 CONTACT: COPPER ALLOY.
 GOLD PLATED 30u" Min ON CONTACT AREA, 100u" Min TIN (LEAD FREE) ON SOLDER AREA,
 SHELL: SUS304-H,T=0.30±0.03mm
 50u" NICKEL PLATING OVER ALL.
 SHILD: SUS304-H,T=0.12±0.03mm
2.MECHANICAL:
 INSERTION: 5~20N.
 EXTRACTION: 8~20N.
 DURABILITY: 10000 CYCLES
3.ELECTRICAL:
 CURRENT: 5A MIN FOR VBUS;
 0.25A MIN FOR OTHER.
 VOLTAGE: 5VAC MAX
 WITHSTANDING VOLTAGE: 100V AC.
 CONTACT RESISTANCE: 40mΩ MAX.
 INSULATION RESISTANCE: 100MΩ MIN.
4.ENVIRONMENTAL
 TEMPERATURE RANGE -55°C ~ +85°C

01FS24 SX N207TZL
 A
 Au Plating
 S1-03u"Min.gold in contact area/
 100u"Min.Tin in solder area.
 S2-05u"Min.gold in contact area/
 100u"Min.Tin in solder area.
 S3-gold Flash in contact/
 100u"Min.Tin in solder area.
 S4-10u"Min.gold in contact area/
 100u"Min.Tin in solder area.
 S5-15u"Min.gold in contact area/
 100u"Min.Tin in solder area.
 S6-30u"Min.gold in contact area/
 100u"Min.Tin in solder area.

RoHS

USB TYPE-C FULL-FEATURED RECEPTACLE INTERFACE PIN ASSIGNMENTS

PIN	Signal Name	Description	PIN	Signal Name	Description
A1	GND	Ground return	B12	GND	Ground return
A2	SSTx0	Positive half of first SuperSpeed TX differential pair	B11	SSTx0	Positive half of first SuperSpeed TX differential pair
A3	SSTx1	Negative half of first SuperSpeed TX differential pair	B10	SSTx1	Negative half of first SuperSpeed TX differential pair
A4	Vcc	Bus Power	B9	Vcc	Bus Power
A5	CC1	Configuration Channel	B8	CC1	Configuration Channel
A6	Dp1	Positive half of the USB 2.0 differential pair-Position 1	B7	Dp1	Positive half of the USB 2.0 differential pair-Position 1
A7	Dn1	Negative half of the USB 2.0 differential pair-Position 1	B6	Dn1	Negative half of the USB 2.0 differential pair-Position 1
A8	RFU1	Reserved for Future Use (RFU)	B5	RFU1	Reserved for Future Use (RFU)
A9	Vcc	Bus Power	B4	Vcc	Bus Power
A10	SSRx2	Negative half of second SuperSpeed RX differential pair	B3	SSRx2	Negative half of second SuperSpeed RX differential pair
A11	SSRx1	Positive half of second SuperSpeed RX differential pair	B2	SSRx1	Positive half of second SuperSpeed RX differential pair
A12	GND	Ground return	B1	GND	Ground return

RECOMMENDED P.C.B. LAYOUT (T:1.00mm)
 TOLERANCE UNSPECIFIED ±0.05mm

ITEM:USB3.1 TYPE-C 24PF-010

ECN(DCN) NO.	REV	DATE	DESCRIPTION	CHANGE	APPRO.	General Tolerance	DRAW	DATE
						.X ±0.30		2015' /09/02
						.XX ±0.20	DESIGN	2015' /09/02
						.XXX ±0.10	CHECK	2015' /09/02
	A	15' /09/05	NEW			Angle Tolerance	APPRO.	2015' /09/02
						.X* ±1.0°		
						.XX* ±0.5°		
						.XXX* ±0.2°		

PART NO.	01FS24SXN207TZL
DWG. NO.	20150912-03
SCALE	1:1
UNIT:mm	A4
SHEET:	1 of 1