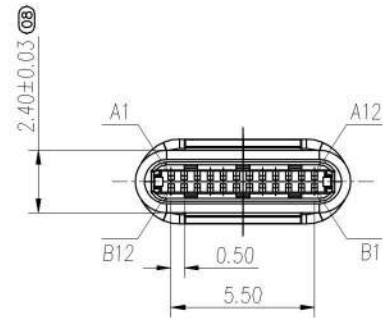
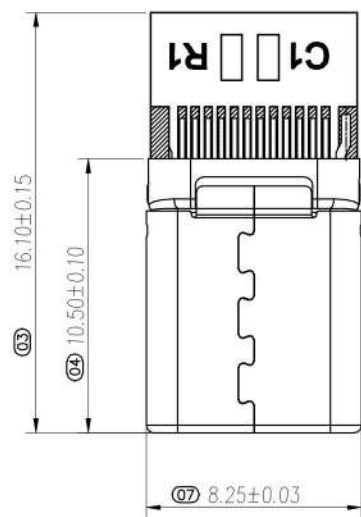
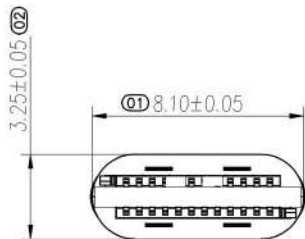
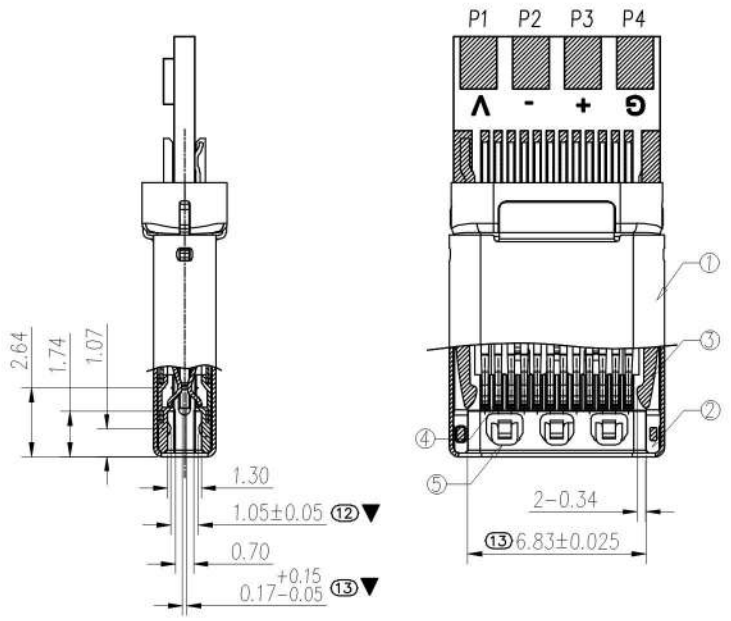


ROHS



A12	A11	A10	A9	A8	A7	A6	A5	A4	A3	A2	A1
GND			VBUS	SBU1	D-	D+	CC	VBUS			GND
GND			VBUS	Vconn			SBU2	VBUS			GND
B1	B2	B3	B4	B5	B6	B7	B8	B9	B10	B11	B12

1007-04M****13--**	With out Sn
1007-04M****15--**	With Sn



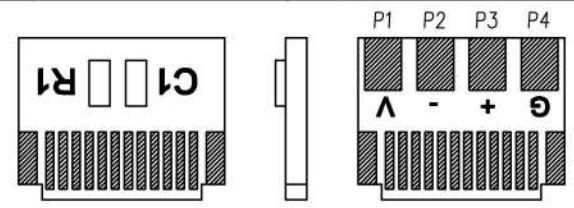
Specification:

- Electrical Characteristics:
 - Contact Current Rating: 3 Amperes Max.
 - Rated Voltage: 30V Max.
 - Dielectric Withstanding Voltage: AC 100V r.m.s.
 - Insulation Resistance: 100 MΩ Minimum.
 - Contact Resistance: 40 mΩ Maximum.
- Environmental:
 - Operating Temperature: -30°C~+85°C.
- Mechanical Characteristics:
 - Insertion Force: 5~20Nf.
 - Withdrawal Force: 8~20Nf.
 - Durability Cycles: 10000 Cycles.
- ⊗ Make is FAI test Dimension
▼ Make is major test Dimension

NO.	NAME	DESCRIPTION
5	EMC SPRING	Stainless Steel; SUS304, T=0.10mm;
4	CONTACT	Copper Alloy; AuNiSn;
3	LATCH	Stainless Steel; SUS304, T=0.35mm;
2	HOUSING	LCP Thermoplastic, UL94V-0;
1	SHELL	Stainless Steel; SUS201, T=0.15mm;

ITEM: USB3.1 TYPE-C 24PM-035

P1	A4, A9, B4, B9	P4	A1, A12, B1, B12, Shell
P2	A7	C1	10nf
P3	A6	R1	56KΩ



07/12-17	yang	NEW-DWG	AO		
DATE	DR.BY	ECN.NO.	DESCRIPTION	MARK	VER.
-TOLERANCES- UNLESS OTHERWISE SPECIFIED					
X.	±0.30	X.XXX	±0.100	APPD:	TITLE: USB Type C 24Pin Male
X.X	±0.25	X.X'	±3.00'	CHECK:	PRODUCT NO: 1007-04M****13--**
X.XX	±0.15	X.XX'	±1.00'	DRAW:	DATE SCALE UNIT TYPE PAGE
					2017.07.12 1:1 mm CD 1/1