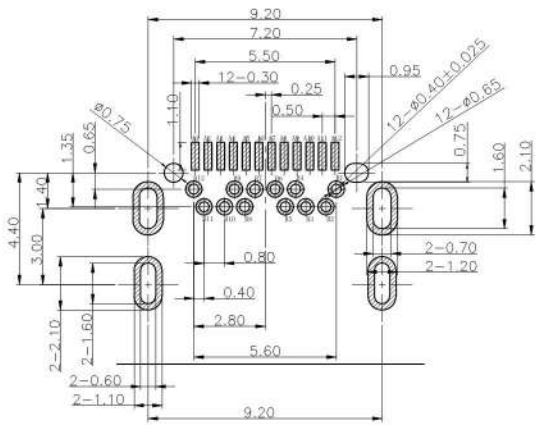
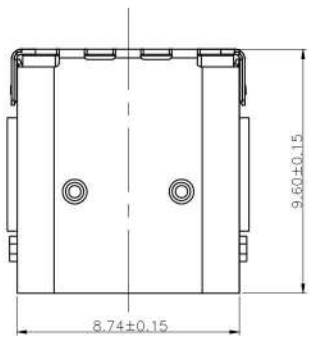
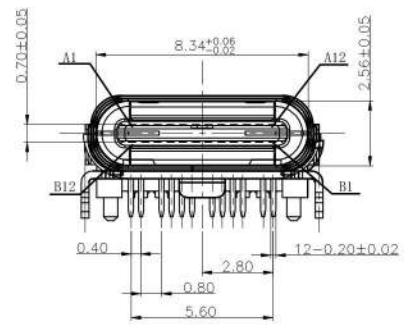
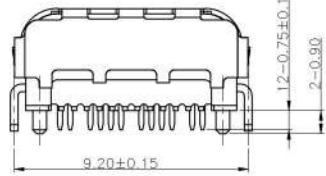
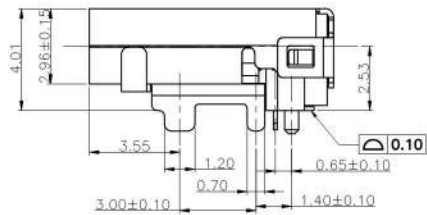


REV	ECN NO.	DISCRIPTION	CHEKED/DATE	APPD/DATE

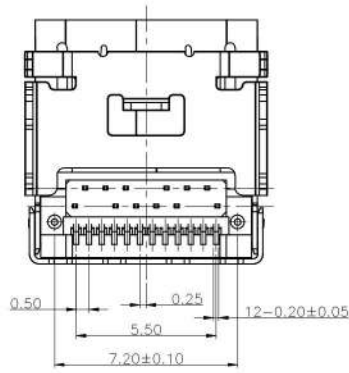


RECOMMENDED P.C.B LAYOUT  
PCB THICKNESS 1.0±0.05mm



- NOTES:
- MATERIAL:  
MOLDING: LCP UL94 V-0  
CONTACT: COPPER ALLOY.  
GOLD PLATED Min ON CONTACT AREA, 100u"  
Min TIN (LEAD FREE) ON SOLDER AREA,  
SHELL: SUS304-H,T=0.30±0.03mm  
50u" NICKEL PLATING OVER ALL.  
SHILD: SUS304-H,T=0.12±0.03mm
  - MECHANICAL:  
INSERTION: 5~20N.  
EXTRACTION: 8~20N AFTER TEST.  
DURABILITY: 10000 CYCLES
  - ELECTRICAL:  
CURRENT: 5A FOR VBUS;  
1.25A FOR GND PIN.  
0.25A FOR OTHER.  
VOLTAGE: 20 V MAX  
WITHSTANDING VOLTAGE: 100V AC R.M.S.  
CONTACT RESISTANCE: 40mΩ MAX.  
INSULATION RESISTANCE: 100MΩ MIN.
  - ENVIRONMENTAL  
TEMPERATURE RANGE -25°C ~ +85°C

### ITEM:USB3.1 TYPE-C 24PF-022



USBTYPE-CPLL-PCBFORMEPCPLCENTERPFCPFASSIGNMENTS

Pin	Signal Name	Description	Pin	Signal Name	Description
A1	GND	Ground/return	B12	GND	Ground/return
A3	SSTxp1	Fast(1)toHigh(1)to SuperSpeedX differential pair	B11	S8Bxp1	Fast(1)toHigh(1)to SuperSpeed RX differential pair
A1	SSTxp1	Slow(1)toHigh(1)to SuperSpeedX differential pair	B10	S8Bxp1	Slow(1)toHigh(1)to SuperSpeed RX differential pair
A1	Yes	BusPower	B9	Yes	BusPower
A1	CC1	Configuration Channel	B8	S8B3	StakeandUse(S8B)
A6	Sp1	Fast(1)toHigh(1)to USB2.0differential pair-Port1on1	B7	Sp2	Slow(1)toHigh(1)to USB2.0differential pair-Port1on2
A7	Sp1	Slow(1)toHigh(1)to USB2.0differential pair-Port1on1	B6	Sp2	Fast(1)toHigh(1)to USB2.0differential pair-Port1on2
A8	S8B1	StakeandUse(S8B)	B5	CC2	Configuration Channel
B9	Yes	BusPower	B1	Yes	BusPower
A10	S8B2	Slow(1)toHigh(1)to SuperSpeed RXdifferential pair	B1	S8T2	Slow(1)toHigh(1)to SuperSpeed TXdifferential pair
A11	S8B2	Fast(1)toHigh(1)to SuperSpeed RXdifferential pair	B2	S8T2	Fast(1)toHigh(1)to SuperSpeed TXdifferential pair
A12	GND	Ground/return	B1	GND	Ground/return

.X:±0.25	.X:±1'	APP.	DWG NO.	XWUC3009(CU)
.XX:±0.15	.X:±0.5'			
.XXX:±0.05	.XX:±0.02'	CHK.	TITLE	
UNIT mm		DGN.	SERIES	
SCALE 1:1		DRW.		
REV. A0	SHEET: 1/1			