

# Tact Switch

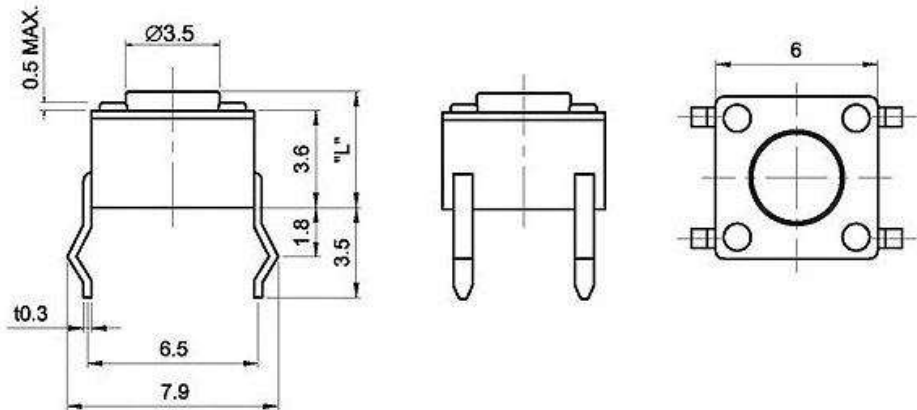
**Q-117**

TYPE: **TS-A**

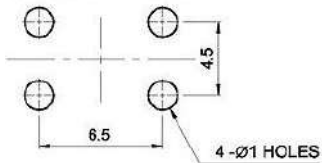
## SPECIFICATIONS

Contact Type	SPST
Rating	DC 12V, 50mA
Travel	0,5±0,10mm
Contacts Resistance	100mΩ Max
Insulation Resistance	100MΩ Min
Minimum Load	DC 100V
Dielectric Strengths	AC 250V / 1 minute
Life Test	100 000 Cycles Min
Operating temperature range	-30°C to +85°C
Operating Force	130 ± 50gf

Outline Drawing

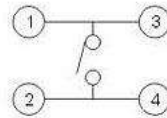


Mounting



L=4,3; 5,0; 6,0; 7,0; 7,5; 8,0; 8,5; 9,0; 9,5; 12,5; 13,0; 15,0; 15,5; 17,0mm

Circuitry



**OFF - (ON)**