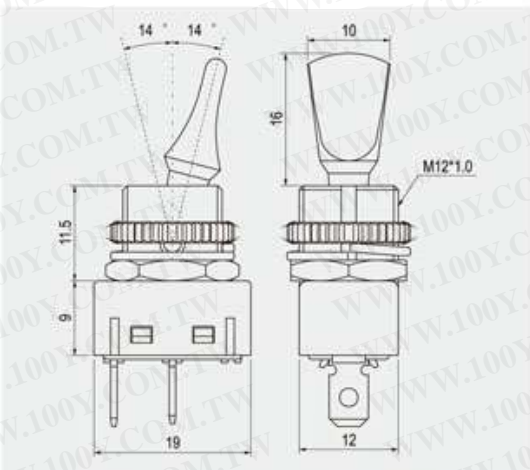


# R13-412



<b>Rating</b>
8A 125V AC 1/3HP 8A 250V AC 1/2HP
<b>Contact resistance</b>
50mΩ Max
<b>Insulation resistance</b>
DC 500V 100MΩ Min
<b>Dielectric strength</b>
AC 1500V 1 minute
<b>Cut-out</b>
± 5 mm max

## FEATURES

- \* MATERIAL: Paddle, frame and bushing are nylon (UL flame: 94V-2). Terminals are silver plated brass.
- Base is PBT (UL flame: 94V-0).
- \* Waterproof (W-70A) is optional (only for lever #2).

# R13-412

FUNCTION	LEVER	TERMINAL
<b>A</b>  2P SPST	<b>1</b> Plastic Lever 	<b>0 2</b> .187" SQ
<b>C</b>  3P SPDT	<b>2</b> Metal Lever 	
<b>D</b>  3P SPDT		
<b>F</b>  2P SPST		

\* ( ) =momentary



勝特力材料 886-3-5753170  
 勝特力电子(上海) 86-21-34970699  
 勝特力电子(深圳) 86-755-83298787  
[Http://www.100y.com.tw](http://www.100y.com.tw)