

Miniature Illuminated Rocker Switch

Q-419

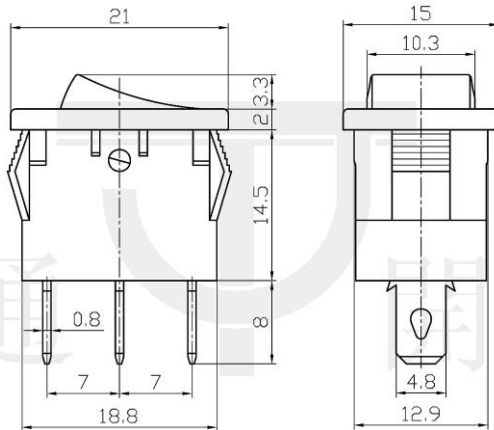
TYPE: **MIRS-101-2C/D**



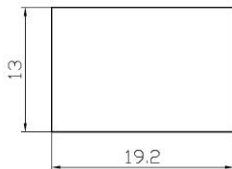
SPECIFICATIONS

Contact Type: SPST
 Rating: 20A 12V DC
 Contact R: 35mΩ max
 Insulation R: 500V DC 100MΩ min
 Dielectric Strength: 1 Minute 1500V AC
 Operating Temperature: -25°C ~ +85°C
 Electrical Life: 10, 000 Cycles

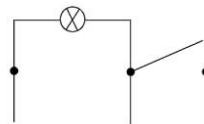
Outline Drawing



Mounting



Circuitry



ON - OFF