

# Miniature Rocker Switch

**Q-497**

TYPE: **MRS-113A-2C6**

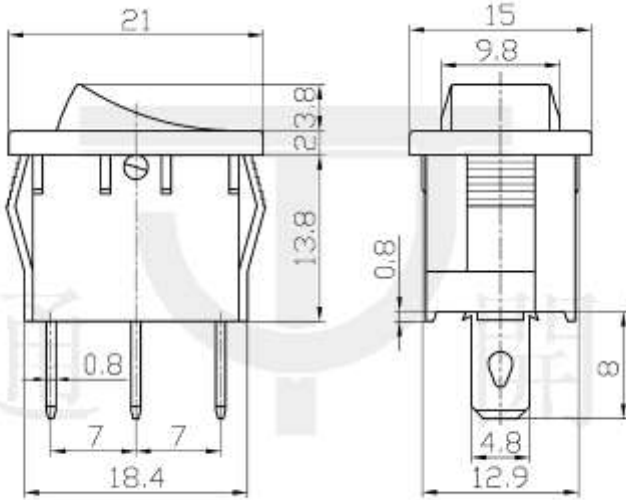
Cap marking



## SPECIFICATIONS

Rating: 6A 125V AC; 3A 250V AC  
 Contact R: 35mΩ max  
 Insulation R: 500V DC 100MΩ min  
 Dielectric Strength: 1 Minute 1500V AC  
 Operating Temperature: -25°C ~ +85°C  
 Electrical Life: 10, 000 Cycles

Outline Drawing



Mounting



Circuitry

