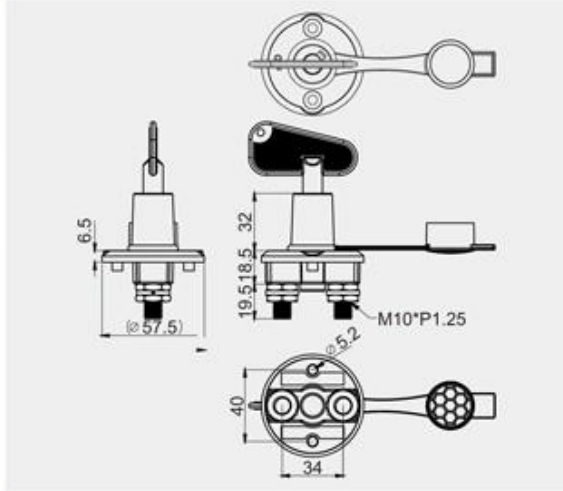


A23-5

IP54



Continuous Rating
100A12VDC ,50A24V DC
Intermittent Rating
150A12VDC ,75A24VDC
Insulation resistance
DC 1000V 100M Ω Min
Dielectric strength
DC 2000V 1 minute AC 1000V 1 minute

FEATURES

- * MATERIAL: Frames are PBT (UL frame: 94V-0), with black color.
- * Actuator: PBT (UL frame: 94HB), with red color.
- * Wire screw for connection: 2pcs screw.
- * Wire nut for connection: 4pcs nut.

Circuit diagram

