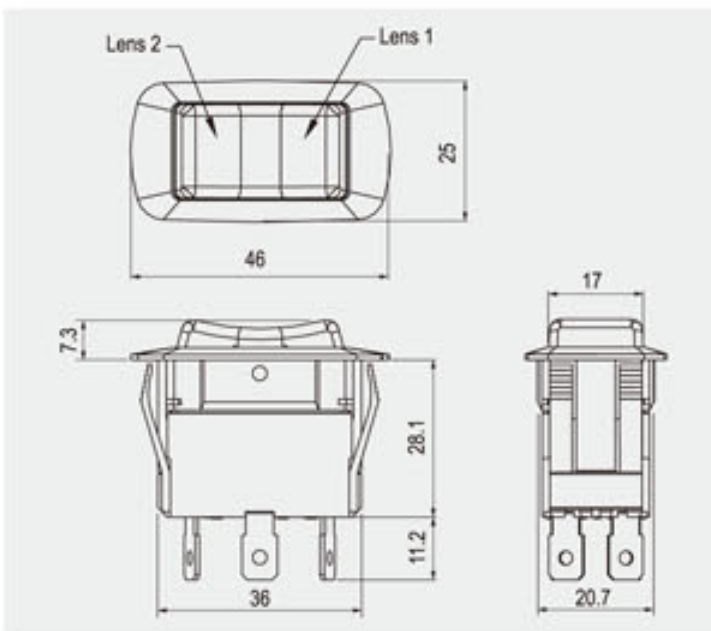


# R13-260



Rating	
20A 125V AC/ 10A 250V AC	
16A 125V AC 3/4HP	
10A 277V AC 3/4HP	
Contact resistance	
50mΩ Max	
Insulation resistance	
DC 500V 100MΩ Min	
Dielectric strength	
AC 1500V 1 minute	
Cut-out	
	Y
	X

Terminal	X	Y
0.75-1.25	21.2±0.1	36.6±0.1
1.25-2	21.2±0.1	36.6±0.1
2-3	21.2±0.1	37.0±0.1

## FEATURES

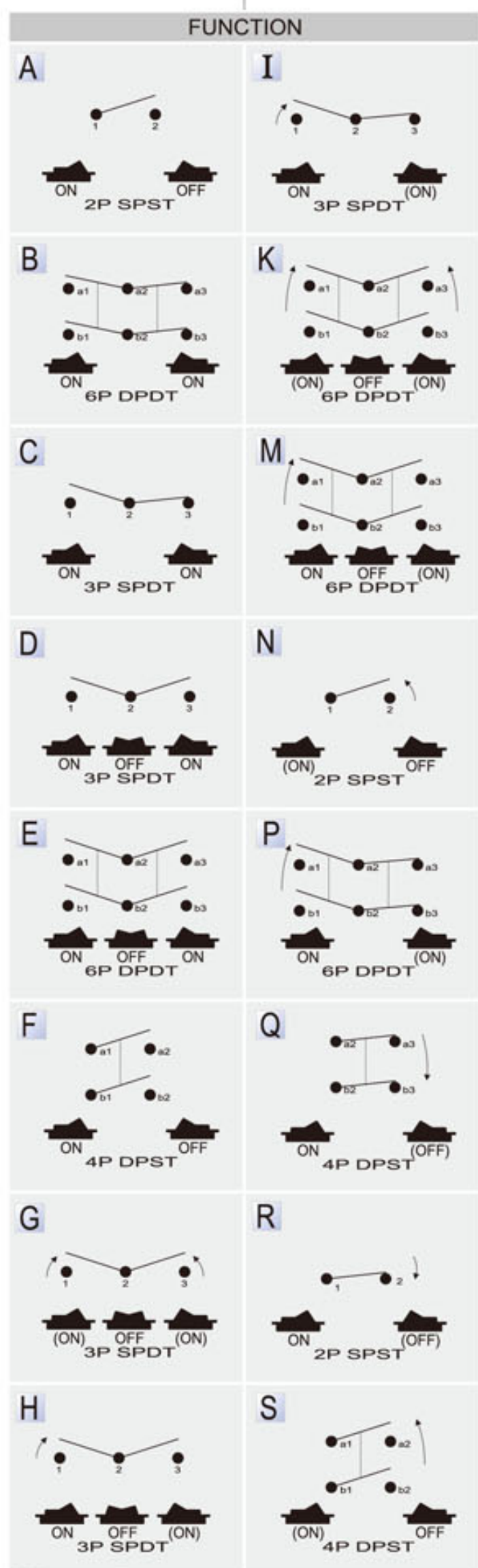
- \* MATERIAL: Frame is nylon (UL flame: 94V-2). Terminals are silver plated brass.
- \* Illuminated actuators are molded in PC, available with red, amber, green, blue and white colors.
- \* Snap-in mounting, easy to install switch into panel.
- \* Water proof and dust proof to fit IP-56.

## CAUTION:

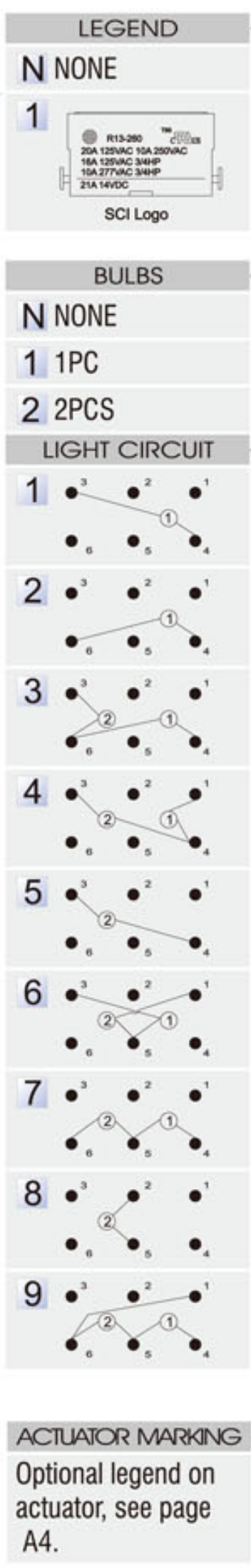
- \* This switch meets the requirements for IP56 per IES 60529.
- \* Waterproof IPX6 of this switch is effective by the mounting panel sealed only.
- \* If this switch is used on the device with a printed circuit board inside, it is not suggested for an outdoor application to prevent from circuit short.
- \* Illuminated configuration is only available with single pole function.



## R13-260 - - - - -



- ### ROCKER
- 1
  - 2
  - 4
  - 5
  - 6
  - 7 Laser mark
  - 8 Waterproof
  - 9 LOCK
  - 9 B LOCK
- WITH LOCK ONLY FOR SPST/DPST
- ### TERMINAL
- 0 1 .250" SQ
  - 0 4 SAE SQ
  - 0 5 S0
  - 0 8 SC 6-32UNC
- ### FRAME COLOR
- ### ROCKER COLOR
- ### LENS COLOR(TERMINAL 1-4)
- ### LENS COLOR(TERMINAL 3-6)
- ### COLOR
- A AMBER
  - B BLACK
  - G GREEN
  - L BLUE
  - C CLEAR
  - R RED
  - W WHITE
  - N NONE



\* ( ) = momentary