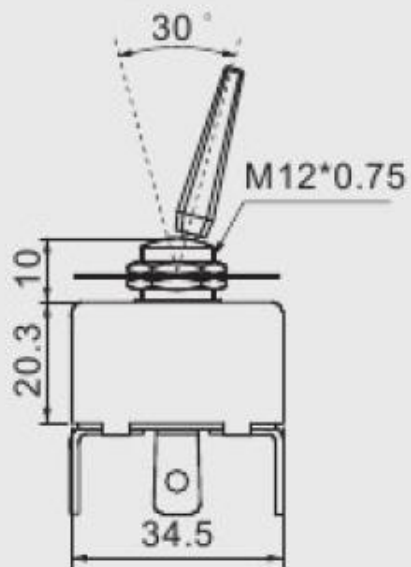


R13-401 A -



∅ 12.2

50A 12V DC

3 mm max

FUNCTION	
A	OFF ON 2P SPST
C	ON ON 3P SPDT
D	ON OFF ON 3P SPDT

LEVER	
1	W/O Chrome Plated
2	With Chrome Plated
3	Plastic Lever
4	Plastic Lever

HOUSING	
<input checked="" type="checkbox"/>	Metal housing
<input type="checkbox"/>	Plastic housing
TERMINAL	
<input type="checkbox"/> <input checked="" type="checkbox"/>	.250" SQ
<input type="checkbox"/> <input checked="" type="checkbox"/>	S0
<input type="checkbox"/> <input checked="" type="checkbox"/>	SC M4



R13-401A1A-07



R13-401A4A2-01



R13-401A5-07