

Power Switch

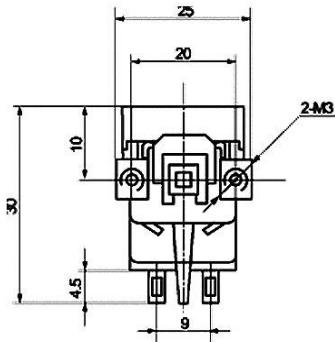
Q-1407

TYPE: **KDC-A04-2**

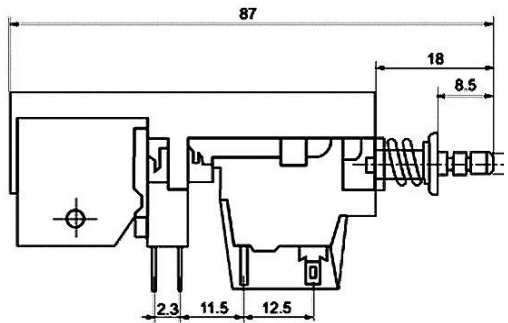
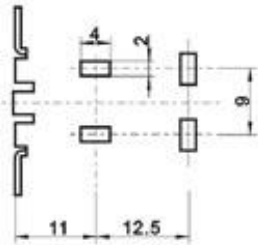
SPECIFICATIONS

Rating: 5A 250V AC
Contact R: 50mΩ max
Insulation R: 500V DC 100MΩ min
Dielectric Strength: 1 Minute 1500V AC
Operating Temperature: -25°C ~ +85°C
Electrical Life: 10, 000 Cycles

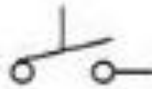
Outline Drawing



Mounting



Circuitry



ON - OFF