

Slide Switch

Q-1731

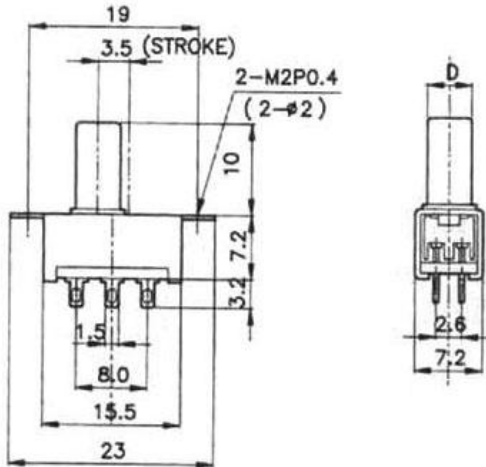
TYPE: **SC-3071**



SPECIFICATIONS

Contact Type	DPDT
Pin Width	4mm
Rating	DC 50V, 0.3A
Contacts Resistance	30Ω
Insulation Resistance	100Ω
Minimum Load	DC 500V
Dielectric Strengths	AC 500V / 1 minute
Life Test	10 000 cycles/ minute
Material	Plastic & Metal

Outline Drawing



Circuitry

