

Push Button Switch

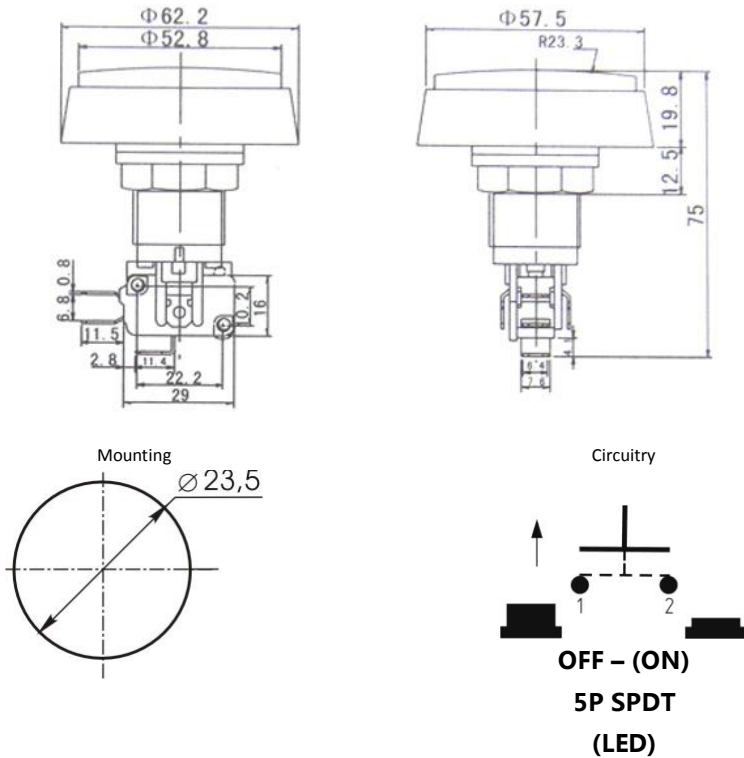
Q-1855

TYPE: **PB-300C**

SPECIFICATIONS

Rating: 5A 250V AC
Contact R: 35mΩ max
Insulation R: 500V DC 100mΩ min
Dielectric Strength: 1 Minute 1500V AC
Operating Temperature: -25°C ~ +85°C
Electrical Life: 10, 000 Cycles

Outline Drawing



OFF – (ON)
5P SPDT
(LED)