

## Toggle Switch

**Q-2094**

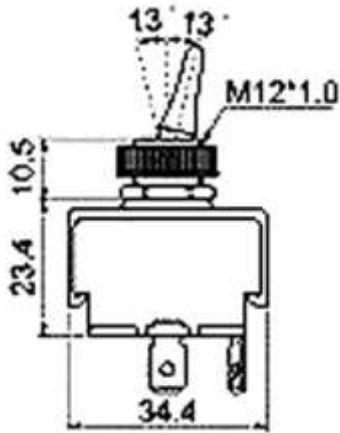
 TYPE: **R13-403A**  
**R13-403C**
**Q-10474**

 TYPE: **R13-403D**

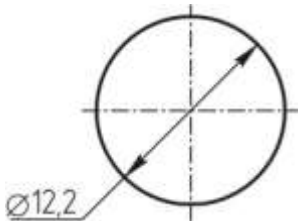
### SPECIFICATIONS

 Rating: 30A 12V DC  
 Contact R: 50mΩ max  
 Insulation R: 500V DC 100MΩ min  
 Dielectric Strength: 1 Minute 1000V AC  
 Operating Temperature: -25°C ~ +85°C  
 Electrical Life: 10, 000 Cycles

Outline Drawing



Mounting



Function

