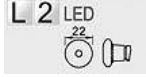


Push Pull Switch

Q-2101

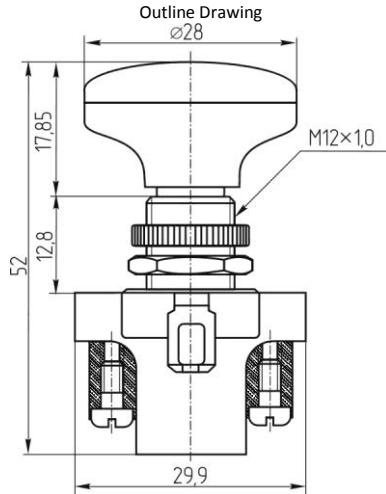
TYPE: **A3-30L2R**

Cap Type

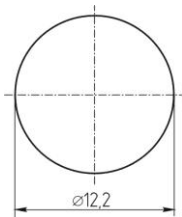


SPECIFICATIONS

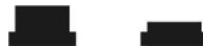
Contact Type	SPST
Rating	DC 12V, 10A
Contacts Resistance	10mΩ
Insulation Resistance	1000MΩ
Minimum Load	DC 500V
Dielectric Strengths	AC 1000V / 1 minute
Life Test	10 000 cycles



Mounting



Circuitry



ON – OFF
3P SPST
(LED)