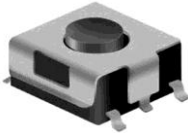


# Tact Switch

**Q-2498**

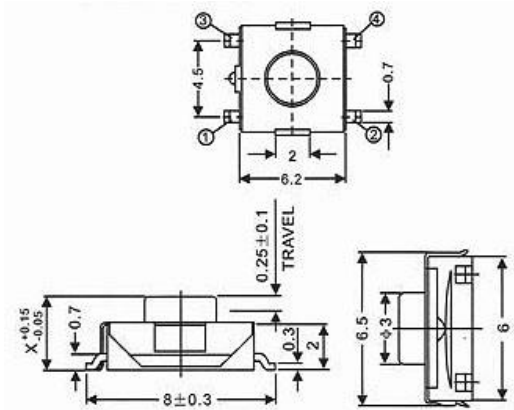
TYPE: **TD-07XB**



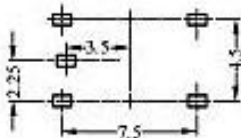
## SPECIFICATIONS

Contact Type	SPST
Rating	DC 12V, 50mA
Contacts Resistance	$\leq 0,03\Omega$
Insulation Resistance	$\geq 100M\Omega$ Min
Minimum Load	DC 500V
Dielectric Strengths	AC 250V / 1 minute
Life Test	100 000 Cycles Min
Operating temperature range	-25°C to +70°C
Operating Force	230 $\pm$ 50gf

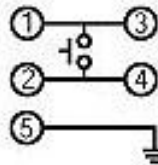
Outline Drawing



Mounting



X=2,0; 3,0; 4,3; 5,0; 7,0mm  
Circuitry



OFF - (ON)