

Slide Switch

Q-2505

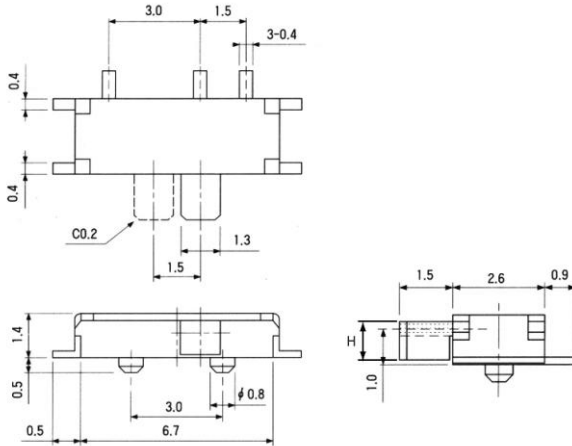
TYPE: **IS-1290A**



SPECIFICATIONS

Contact Type	SPDT
Pin Width	1.5 mm
Rating	DC 6V, 0.3A
Contacts Resistance	70mΩ
Insulation Resistance	100MΩ
Minimum Load	DC 500V
Dielectric Strengths	AC 1000V / 1 minute
Life Test	10 000 cycles/ minute
Material	Plastic & Metal

Outline Drawing



Mounting

Circuitry

