

# Tact Switch

**Q-2522**

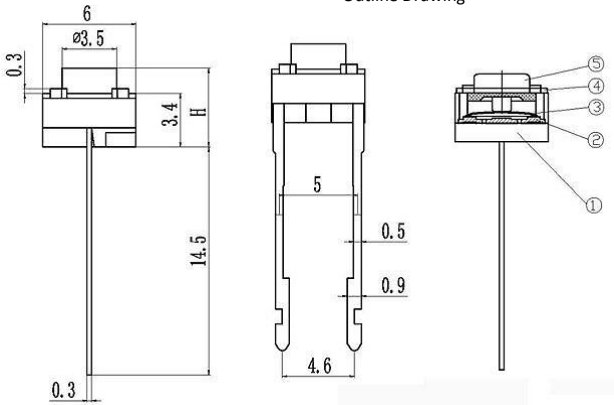
TYPE: **TSY66H**



## SPECIFICATIONS

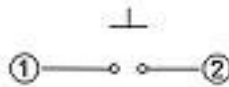
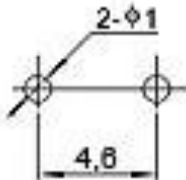
Contact Type	SPST
Rating	DC 12V, 50mA
Travel	0,25±0,10mm
Contacts Resistance	50mΩ Max
Insulation Resistance	100MΩ Min
Minimum Load	DC 100V
Dielectric Strengths	AC 250V / 1 minute
Life Test	50 000 Cycles Min
Operating temperature range	-25°C to +70°C
Operating Force	180 ± 50gf

Outline Drawing



Mounting

H=4,3; 5,0; 7,0; 9,5mm  
Circuitry



OFF - (ON)