

Tact Switch

Q-2754

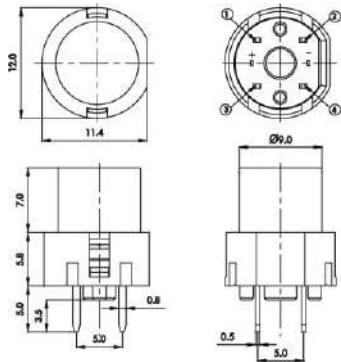
TYPE: **KS01B**



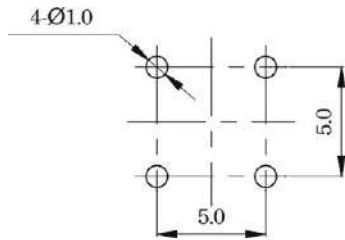
SPECIFICATIONS

Contact Type	SPST
Rating	DC 35V, 10mA
Contacts Resistance	30mΩ Max
Insulation Resistance	100MΩ Min
Minimum Load	DC 100V
Dielectric Strengths	AC 250V / 1 minute
Life Test	100 000 Cycles Min
Operating temperature range	-20°C to +60°C
Operating Force	V: 130 ± 50gf M: 250 ± 50gf

Outline Drawing



Mounting



Button Color

R	Red
Y	Yellow
G	Green
B	Blue
W	White
BK	Black

Circuitry

