

Push-Button Switch

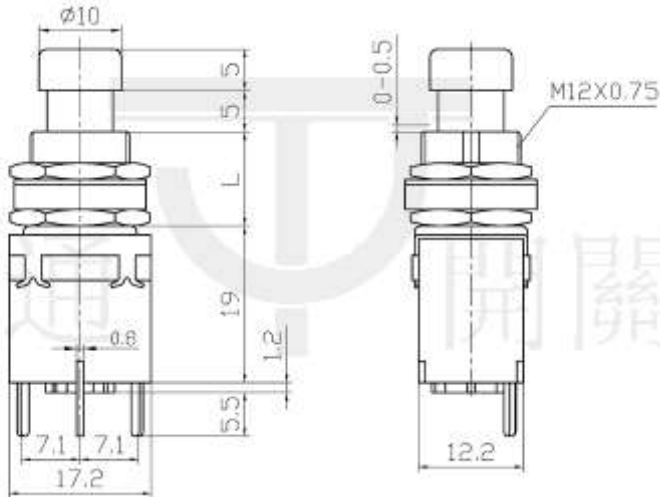
Q-2854

TYPE: **PBS-24-102P**

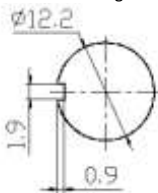
SPECIFICATIONS

Rating: 4A 125V AC; 2A 250V AC
 Contact R: 20mΩ max
 Insulation R: 500V DC 100MΩ min
 Dielectric Strength: 1 Minute 1000V AC
 Operating Temperature: -25°C ~ +85°C
 Electrical Life: 10, 000 Cycles
 L= 14.2; 11.8; 9.8

Outline Drawing



Mounting



Circuitry

