

# Detector Switch

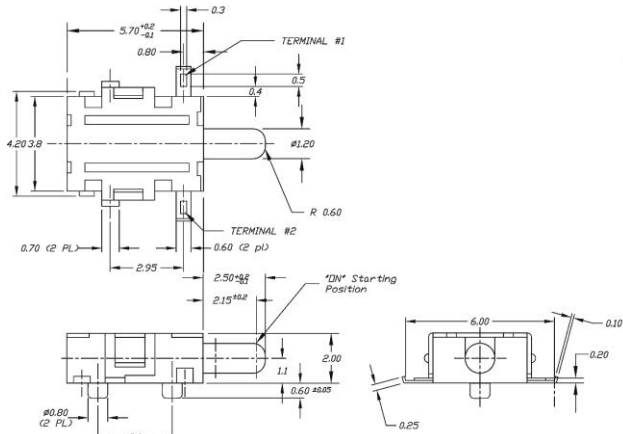
**Q-9145**

TYPE: **900 AGQ**

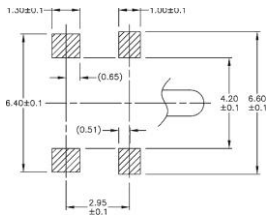
## SPECIFICATIONS

Contact Type	SPST
Rating	DC 12V, 50mA
Contacts Resistance	80mΩ max
Insulation Resistance	≥100MΩ Min
Dielectric Strengths	AC 1000V / 1 minute
Life Test	50 000 Cycles Min
Operating temperature range	-25°C to +85°C
Operating Force	50gf max

Outline Drawing



Mounting



Circuitry

