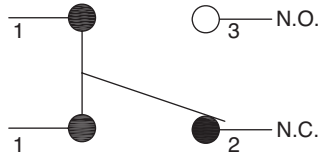
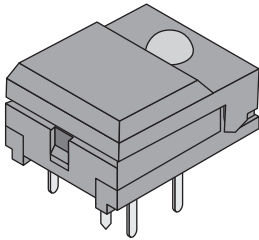
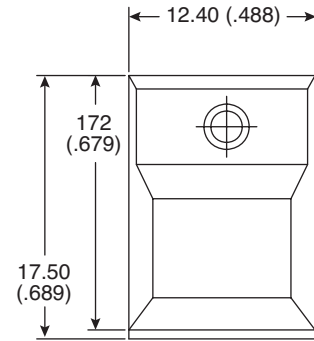
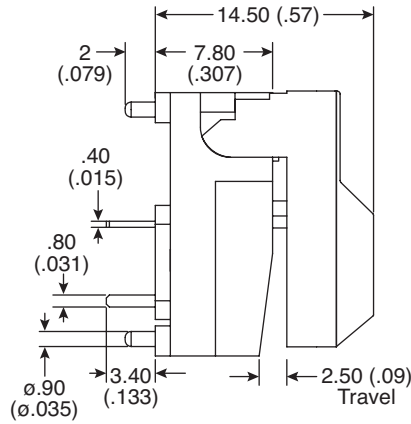
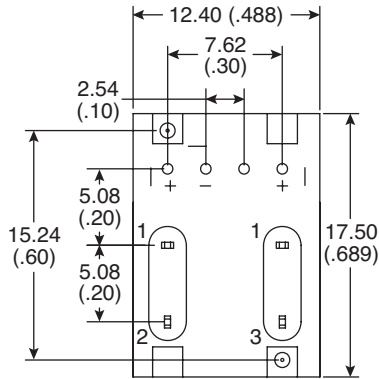
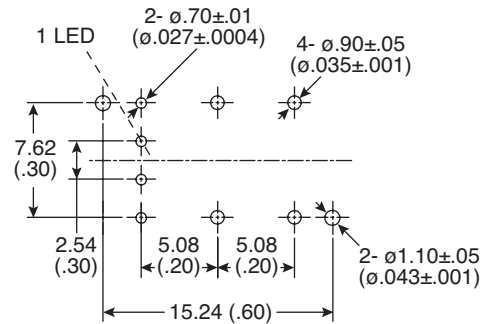


Q-9317

Dimensions: mm (In.)



Contact Configuration (SPDT)



Electrical Specifications:

- Rating: 12mA/24VDC
- Test Voltage Cont.: 150V
- Continuous Current Rating: 120mA
- Power Rating: 240mW
- Insulation Resistance: 100MΩ min.
- Contact Resistance: 50mΩ max.

Note:

- RoHS compliant and process compatible with 260° solder

Materials:

- Housing: nylon
- Cap: ABS
- Fixed Contact: Gold plated copper alloy
- Moving Contact: Gold plated copper alloy

Mechanical Specifications:

- Contact Configuration: SPDT
- Contact Bounce: 5m sec max.
- Operating Force: 200gf max.
- Operating Travel: 2.5 ±0.2mm
- Operating Life: 500,000 cycles
- Function: Momentary

Mouser Stock No.	Cap Color	LED Color
107-SP86-A1-5-01-EV	Black	Red
107-SP86-A1-5-03-EV	Black	Green
107-SP86-A1-9-01-EV	Gray	Red
107-SP86-A1-9-03-EV	Gray	Green
107-SP86-A1-1-01-EV	Red	Red
107-SP86-A1-1-03-EV	Red	Green
107-SP86-A1-4-01-EV	White	Red
107-SP86-A1-4-03-EV	White	Green

Illuminated (LED) Pushbutton Switches

107-SP86-A1-5-07-EV, 107-SP86-A1-5-03-EV,
 107-SP86-A1-9-01-EV, 107-SP86-A1-9-03-EV,
 107-SP86-A1-1-01-EV, 107-SP86-A1-1-03-EV,
 107-SP86-A1-4-01-EV, 107-SP86-A1-4-03-EV

