

Rocker Switch

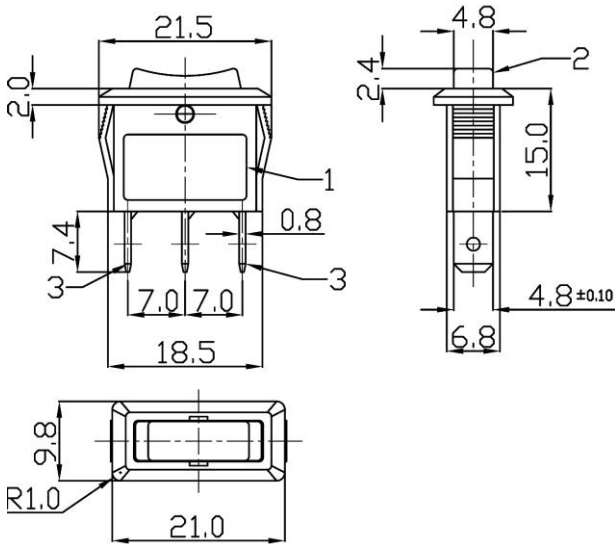
Q-9404

TYPE: **YSR22-13**

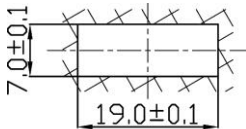
SPECIFICATIONS

Contact Type: SPDT
Rating: 10A 250V AC
Contact R: 35mΩ max
Insulation R: 500V DC 100MΩ min
Dielectric Strength: 1 Minute 2000V AC
Operating Temperature: -25°C ~ +105°C
Electrical Life: 6, 000 Cycles

Outline Drawing



Mounting



Panel Installation
Thickness 0.8 ~ 2mm

Circuitry

