

Tact Switch

Q-9795

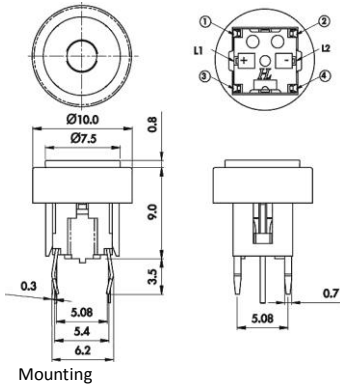
TYPE: **PB6142FL**



SPECIFICATIONS

Contact Type	SPST
Rating	DC 12V, 50mA
Contacts Resistance	100mΩ Max
Insulation Resistance	100MΩ Min
Minimum Load	DC 500V
Dielectric Strengths	AC 250V / 1 minute
Life Test	300 000 Cycles Min
Operating temperature range	-20°C to +70°C
Operating Force	160 ± 50gf

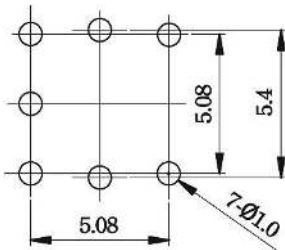
Outline Drawing



LED Color

1	Red
2	Yellow
3	Green
4	Blue
5	White
-	Non-illuminated

Mounting



Circuitry

