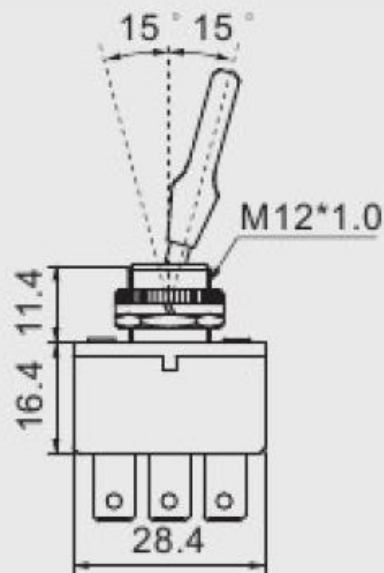


R13-       -     



15A 12V DC

∅ 12.2

4 mm max

LEVER

9 5



9 6



FUNCTION

A



C



D



E



TERMINAL

0 1 .250" SQ

F



G

