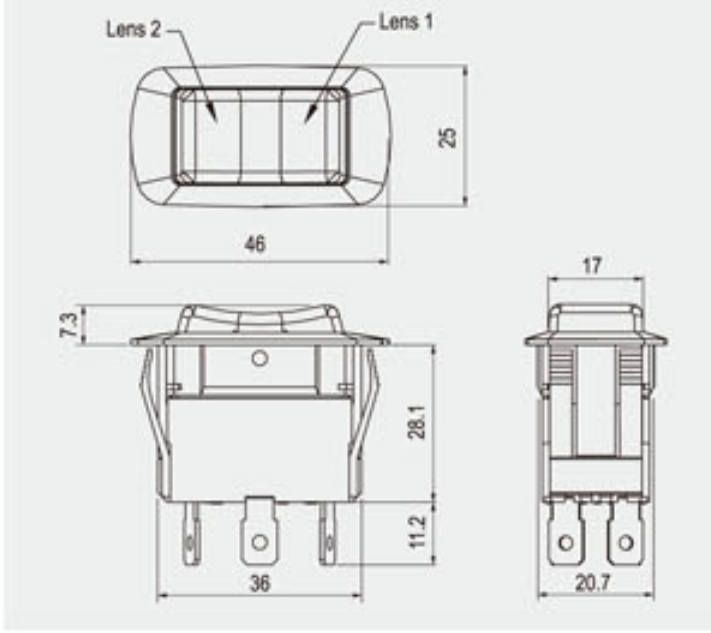


R13-260



Rating		
20A	125V AC/ 10A	250V AC
16A	125V AC	3/4HP
10A	277V AC	3/4HP
Contact resistance		
50mΩ Max		
Insulation resistance		
DC 500V 100MΩ Min		
Dielectric strength		
AC 1500V 1 minute		
Cut-out		
	Y	X

	X	Y
0.75-1.25	21.2±0.1	36.6±0.1
1.25-2	21.2±0.1	36.6±0.1
2-3	21.2±0.1	37.0±0.1

FEATURES

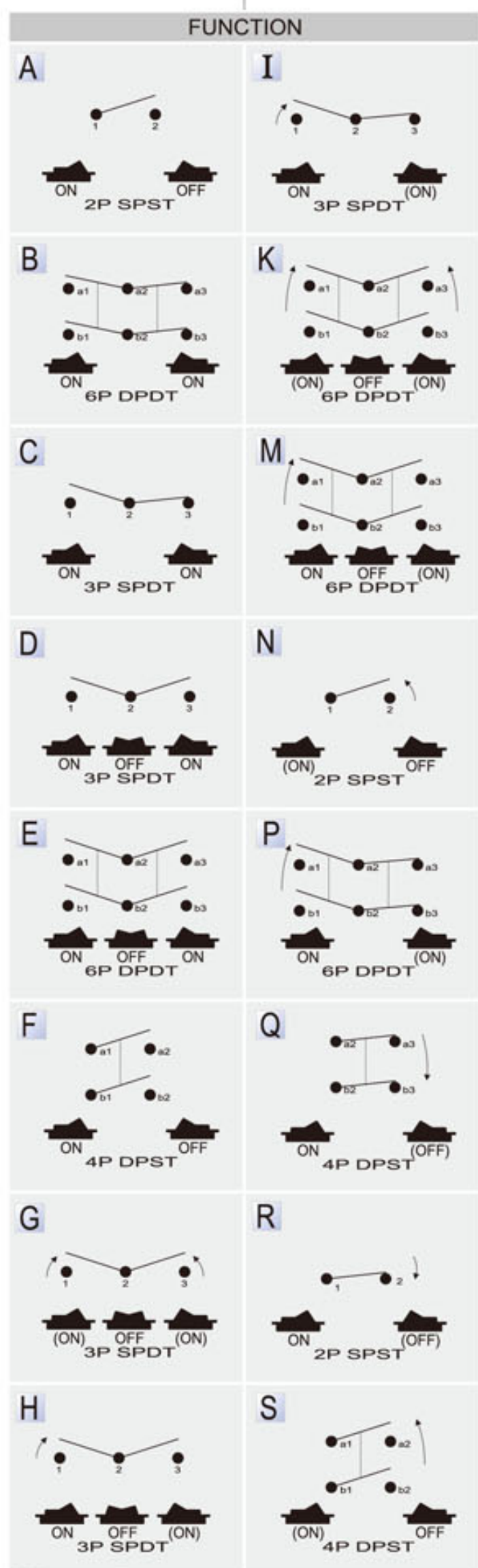
- * MATERIAL: Frame is nylon (UL flame: 94V-2). Terminals are silver plated brass.
- * Illuminated actuators are molded in PC, available with red, amber, green, blue and white colors.
- * Snap-in mounting, easy to install switch into panel.
- * Water proof and dust proof to fit IP-56.

CAUTION:

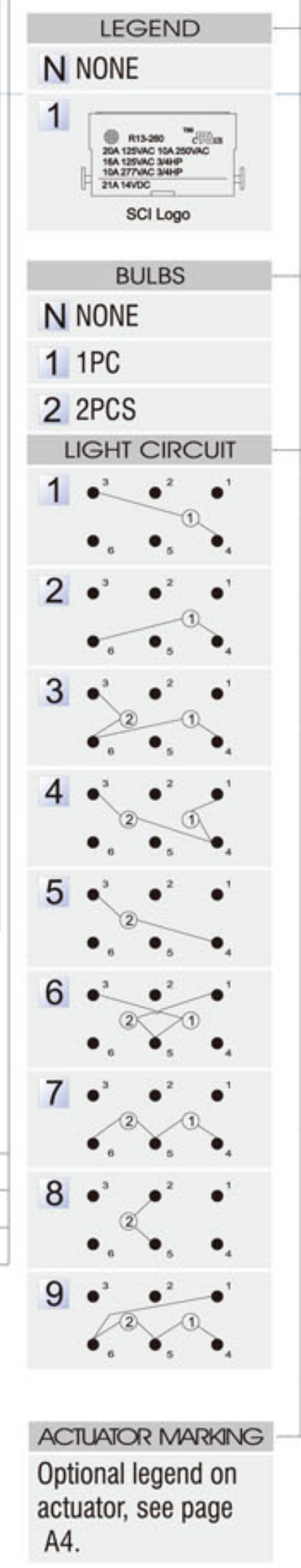
- * This switch meets the requirements for IP56 per IES 60529.
- * Waterproof IPX6 of this switch is effective by the mounting panel sealed only.
- * If this switch is used on the device with a printed circuit board inside, it is not suggested for an outdoor application to prevent from circuit short.
- * Illuminated configuration is only available with single pole function.



R13-260



- ### ROCKER
- 1
 - 2
 - 4
 - 5
 - 6
 - 7 Laser mark
 - 8 Waterproof
 - 9 LOCK
 - 9 B LOCK
- WITH LOCK ONLY FOR SPST/DPST
- ### TERMINAL
- 0 1 .250" SQ
 - 0 4 SAE SQ
 - 0 5 S0
 - 0 8 SC 6-32UNC
- ### FRAME COLOR
- ### ROCKER COLOR
- ### LENS COLOR(TERMINAL 1-4)
- ### LENS COLOR(TERMINAL 3-6)
- ### COLOR
- A AMBER
 - B BLACK
 - G GREEN
 - L BLUE
 - C CLEAR
 - R RED
 - W WHITE
 - N NONE



* () = momentary