

# Automotive Rocker Switch

**Q-10337**

TYPE: **R13-244B8**  
**Rocker**

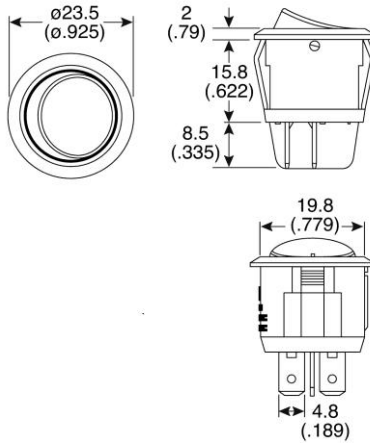


**Waterproof**

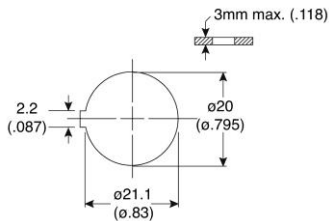
## SPECIFICATIONS

Rating: 20A 12V DC  
 Contact R: 50mΩ max  
 Insulation R: 500V DC 100MΩ min  
 Dielectric Strength: 1 Minute 1500V AC  
 Operating Temperature: -25°C ~ +85°C  
 Electrical Life: 10, 000 Cycles

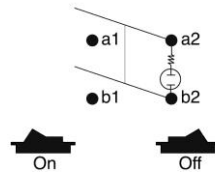
Outline Drawing



Mounting



Circuitry



**4P DPST**  
 (Illuminated)