

Slide Switch

Q-10339

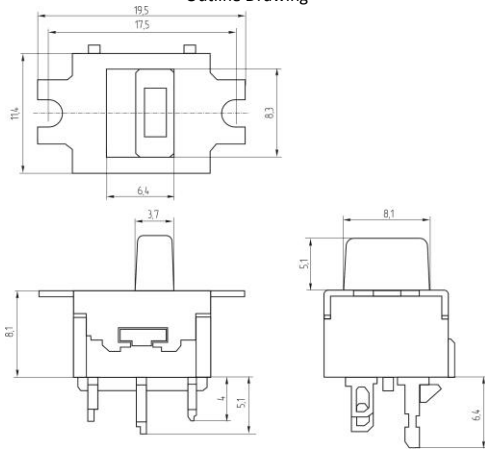
TYPE: **R13-604CR**



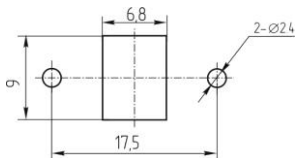
SPECIFICATIONS

Contact Type	SPDT
Rating	AC 125V, 6A / AC 250V, 3A
Contacts Resistance	50mΩ
Insulation Resistance	100MΩ
Minimum Load	DC 500V
Dielectric Strengths	AC 1500V / 1 minute
Life Test	10 000 cycles/minute
Material	Plastic & Metal

Outline Drawing



Mounting



Circuitry

