

Push Button Switch (Anti-vandal)

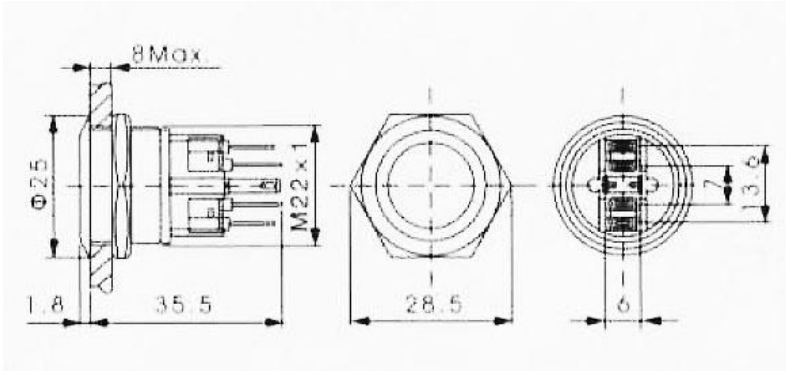
Q-10398

TYPE: **JS22F11L**

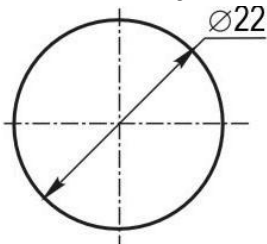
SPECIFICATIONS

Rating: 5A 250V AC
Contact R: 50mΩ max
Insulation R: 2000V DC 1000MΩ min
Dielectric Strength: 1 Minute 2000V AC
Operating Temperature: -20°C ~ +55°C
Electrical Life: 50, 000 Cycles
IP Degree: IP40/IP67

Outline Drawing



Mounting



Circuitry

