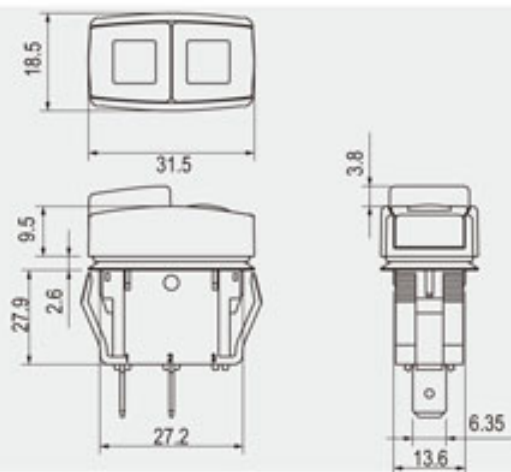


R13-526

IP56



Rating

16A 125V AC 1/3 HP
10A 250V AC 1/2 HP
10(4)A 250V AC

Contact resistance

50mΩ Max

Insulation resistance

DC 500V 100MΩ Min

Dielectric strength

AC 1500V 1 minute

Cut-out

X

Y

	X	Y
0 1	27.6-0.1	13.8+0.1
3-4	27.8-0.1	13.8+0.1
4-5	28.0-0.1	13.8+0.1

FEATURES

- * MATERIAL: Frame and Actuator are nylon (UL flame:94V-2). Terminals are silver plated brass.
- * Illuminated actuators are molded in PC, available with red, amber, green, blue and white colors.
- * Snap-in mounting, easy to install switch into panel.
- * Water proof and dust proof to fit IP-56.
- * Waterproof IPX6 of this switch is effective by the mounting panel sealed only.
- * Application: Vacuum cleaner, machine.

R13-526 -

