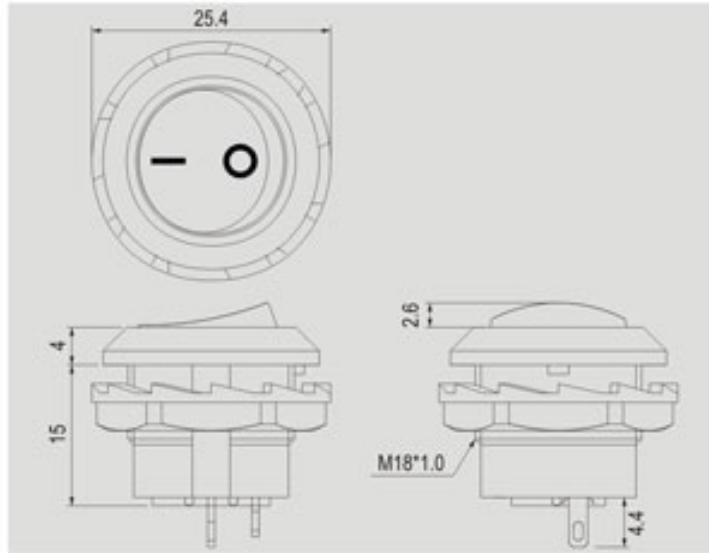


R13-130.136

Screw Type



Rating
10A 125V AC 6A 250V AC
Contact resistance
50mΩ Max
Insulation resistance
DC 500V 100MΩ Min
Dielectric strength
AC 1500V 1 minute
Cut-out for R13-130,136



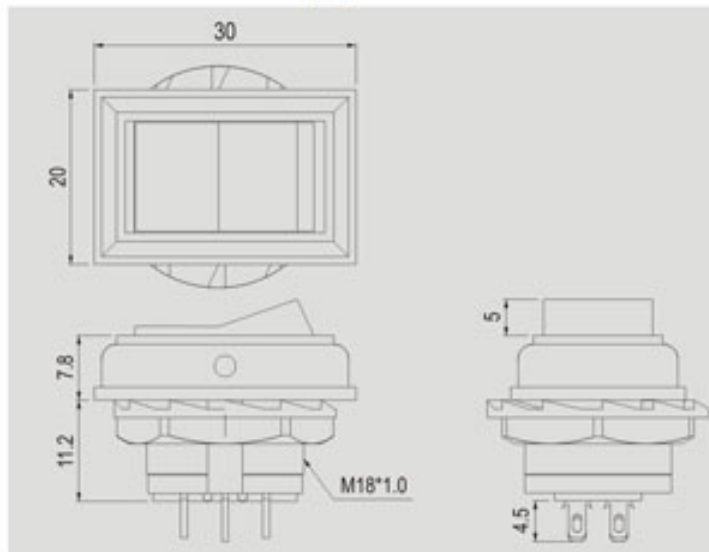
6 mm max
Cut-out for R13-49



6 mm max

R13-49

Screw Type



FEATURES

- * MATERIAL: Actuators are nylon (UL flame: 94V-2). Terminals are silver plated brass.
- * Phenolic base.
- * Mounted by nut.

R13- [] - []

ROCKER	FUNCTION	TERMINAL
1 3 0 	A 2P SPST	0 5 SO
1 3 6 	B 6P DPDT	
4 9 	C 3P SPDT	

