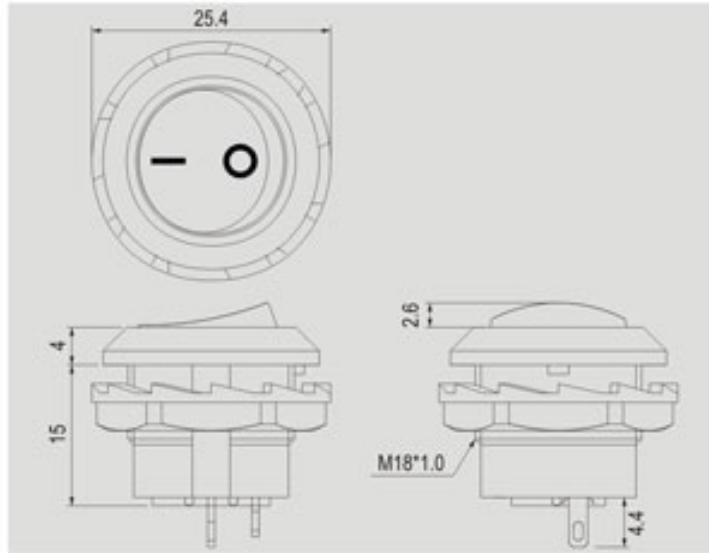


# R13-130.136

## Screw Type



|                                |
|--------------------------------|
| <b>Rating</b>                  |
| 10A 125V AC<br>6A 250V AC      |
| <b>Contact resistance</b>      |
| 50mΩ Max                       |
| <b>Insulation resistance</b>   |
| DC 500V 100MΩ Min              |
| <b>Dielectric strength</b>     |
| AC 1500V 1 minute              |
| <b>Cut-out for R13-130,136</b> |



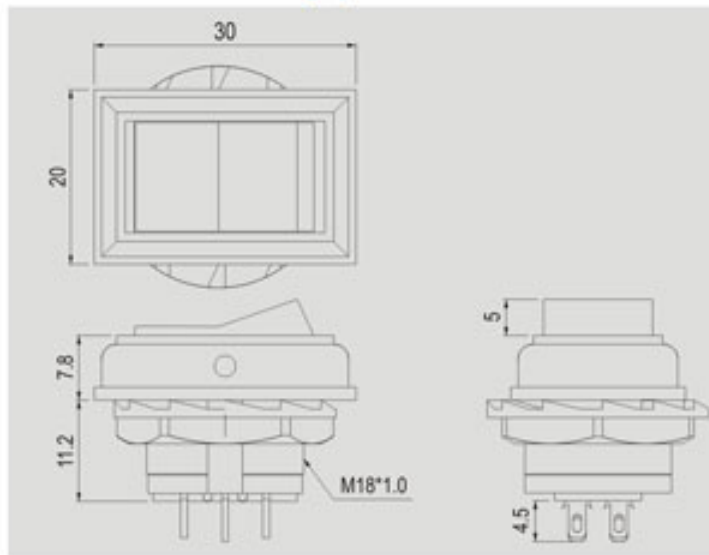
6 mm max  
Cut-out for R13-49



6 mm max

# R13-49

## Screw Type



### FEATURES

- \* MATERIAL: Actuators are nylon (UL flame: 94V-2). Terminals are silver plated brass.
- \* Phenolic base.
- \* Mounted by nut.

## R13- [ ] [ ] [ ] - [ ] [ ]

| ROCKER           | FUNCTION                | TERMINAL      |
|------------------|-------------------------|---------------|
| <b>1 3 0</b><br> | <b>A</b><br><br>2P SPST | <b>0 5</b> SO |
| <b>1 3 6</b><br> | <b>B</b><br><br>6P DPDT |               |
| <b>4 9</b><br>   | <b>C</b><br><br>3P SPDT |               |

