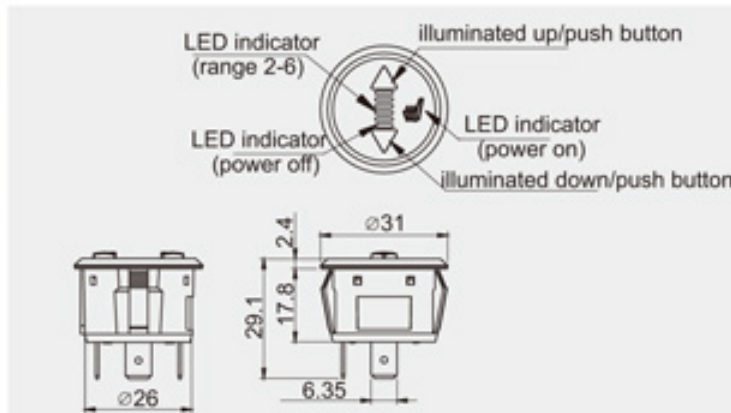


R13-927

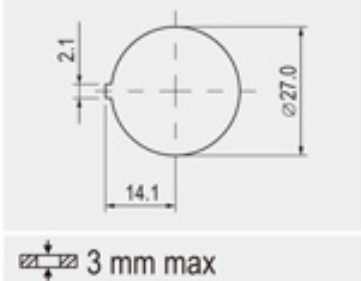
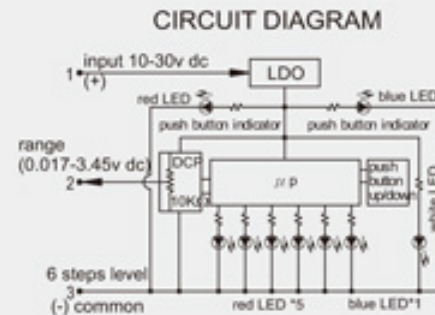
Digital Control Switch



Rating
10-30V DC
Output voltage rating
0.017-3.45V DC
Insulation resistance
DC 500V 100MΩ Min
Dielectric strength
AC 1000V 1 minute
Cut-out

FEATURES

- * MATERIAL: Frame is nylon. Button and lens are PC. Terminals are nickel plated brass.
- * Available for heat or brightness control at 6 levels.
- * Easy conditions detected by different LED indicators.
 - 1.White LED: Always light up when seat icon function is actuated.
 - 2.Red LED: Indicates the brightness or heat going up.
 - 3.Blue LED: Indicates the seat icon function off.
- * Illuminated buttons are molded in PC, available with red, amber, green and blue colors.
- * If smaller size required, please refer to R13-926 w/∅24mm cut-out.



R13-927- [] - [] - [] - []

TERMINAL	BUTTON COLOR _(down)	LED COLOR _(power off)	LED INDICATOR COLOR _(power on)
0 1 .250" SQ	U BLUE	U BLUE	W WHITE
	W WHITE		
	BUTTON COLOR _(up)	LED INDICATOR COLOR _(range 2-6)	ACTUATOR MARKING
	R RED	R RED	Optional legend on actuator, see page A1.
	W WHITE		
	BUTTON INDICATOR _(down)		
	U BLUE		
	BUTTON INDICATOR _(up)		
	R RED		