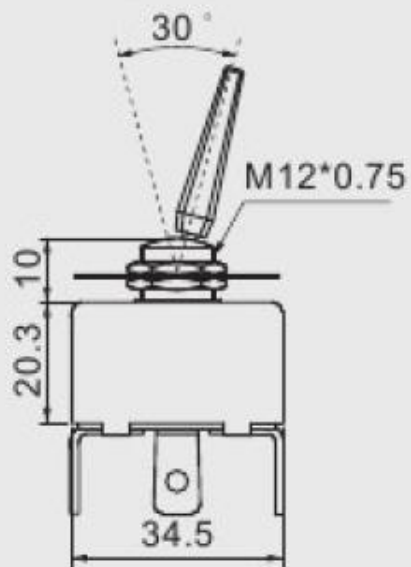


R13-401 A -



∅ 12.2

50A 12V DC

3 mm max

FUNCTION	LEVER	HOUSING
A OFF ON 2P SPST	1 W/O Chrome Plated 	<input checked="" type="checkbox"/> Metal housing <input type="checkbox"/> Plastic housing
C ON ON 3P SPDT	2 With Chrome Plated 	TERMINAL <input type="checkbox"/> <input type="checkbox"/> <input type="checkbox"/> .250" SQ <input type="checkbox"/> <input type="checkbox"/> <input type="checkbox"/> S0 <input type="checkbox"/> <input type="checkbox"/> <input type="checkbox"/> SC M4
D ON OFF ON 3P SPDT	3 Plastic Lever 	
	4 Plastic Lever 	5 Plastic Lever (LED)



R13-401A1A-07



R13-401A4A2-01



R13-401A5-07